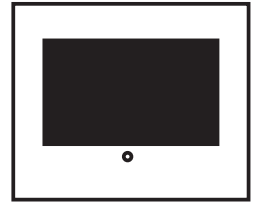


BEDIENUNGSANWEISUNG

mit Montageanweisungen

INSTRUCTIONS FOR USE

and installation



DE

EN

ETV6800.2

A close-up photograph of a white, modern kitchen cabinet edge. The name 'Küppersbusch' is printed in a dark, sans-serif font on the white surface. The lighting is dramatic, highlighting the clean lines and texture of the material.

Küppersbusch

Lesen Sie unbedingt die Gebrauchsanleitung und den Montageplan vor Aufstellung, Installation sowie Inbetriebnahme.

Please read the users and installation instructions carefully before installation of the appliance and before starting to use it.

Service und Kundendienst

Telefon: 0209 – 401 631



Email: kundendienst@kueppersbusch.de

Küppersbusch
FÜR KÜCHEN MIT STIL

Contents

Safety Information	2
Getting Started	3
Notifications & Features & Accessories.....	3
Features	3
Control Buttons on the TV	3
Connect Power	4
Remote Control	5
Connections.....	6
Media Browser Menu.....	9
TV Menu Features and Functions	10
General TV Operation	12
Using the Channel List	12
Configuring Parental Settings.....	12
Electronic Programme Guide (EPG)	12
Software Upgrade.....	13
Troubleshooting & Tips.....	13
PC Input Typical Display Modes	15
Supported File Formats for USB Mode	15
AV and HDMI Signal Compatibility	15
DVD Mode	16
Notes on Discs	16
Licence Notification	16
How to Watch a DVD.....	16
DVD Control Panel Buttons.....	17
Overview of the Remote Control	17
General Playback	19
DVD Troubleshooting	19
Disc Types Compatible with This Unit	20
Specifications	20

Safety Information

	CAUTION RISK OF ELECTRIC SHOCK DO NOT OPEN	
<p>CAUTION: TO REDUCE THE RISK OF ELECTRIC SHOCK DO NOT REMOVE COVER (OR BACK). NO USER-SERVICEABLE PARTS INSIDE. REFER SERVICING TO QUALIFIED SERVICE PERSONNEL.</p>		

To operate your TV in extreme ambient conditions may cause the damage of the device.



If there is lightning or storms, or if the TV is not going to be used for a while (e.g. if going away on holiday), disconnect the TV set from the mains. The mains plug is used to disconnect TV set from the mains and therefore it must remain readily operable.



The exclamation point within an equilateral triangle is intended to alert the user to the presence of important operating and maintenance (servicing) instructions in the literature accompanying the appliance.



Note : Follow the on screen instructions for operating the related features.



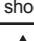




IMPORTANT - Please read these instructions fully before installing or operating

WARNING: Never let people (including children) with reduced physical, sensory or mental capabilities or lack of experience and / or knowledge use electrical devices unsupervised.

- For ventilation purposes, leave a free space of at least 10 cm all around the set.
- **Do not** block ventilation holes.
- **Do not** place the TV on sloping or unstable surfaces, the TV may tip over.
- Use this device in moderate climates.
- The power cord plug should be easily accessible. **Do not** place the TV, furniture, etc. on the power cord. A damaged power cord/plug can cause fire or give you an electric shock. Handle the power cord by the plug, **do not** unplug the TV by pulling the power cord. Never touch the power cord/plug with wet hands as this could cause a short circuit or electric shock. Never make a knot in the power cord or tie it with other cords. When damaged it must be replaced, this should only be done by qualified personnel.
- **Do not** use this TV in a humid or damp place. Do not expose the TV to liquids. If any liquid falls into the cabinet unplug the TV and have it checked by qualified personnel before operating it any further.

- **Do not** expose the TV to direct sunlight or other heat sources. 
- The TV should not be placed near to open flames or sources of intense heat such as an electric heater. 
- Excessive sound pressure from earphones and headphones can cause hearing loss.
- Ensure that no open flame sources, such as lit candles, are placed on top of the TV.
- To prevent injury, this TV must be securely attached to the wall in accordance with the installation instructions (if the option is available).
- Occasionally, a few non-active pixels may appear on the screen as a fixed blue, green or red point. Please note that this does not affect the performance of your product. Take care not to scratch the screen with fingernails or other hard objects.
- Before cleaning, unplug the TV from the wall socket. Only use a soft, dry cloth while cleaning.

 Warning	Serious injury or death risk
 Risk of electric shock	Dangerous voltage risk
 Caution	Injury or property damage risk
 Important	Correctly the system operate
 Notice	Additional notes marked

Getting Started

Notifications & Features & Accessories

Environmental Information

This television is designed to consume less energy to help save the environment. To reduce energy consumption, you should take the following steps:

If you set the Power Save Mode as **Eco**, the TV will switch to energy-saving mode. The Power Save Mode settings can be found in the 'Picture' section of the Main Menu. Note that some picture settings will be unavailable to be changed.

If **Picture Off** is selected, "Screen will be off in 3 seconds." message will be displayed. Select **PROCEED** and press **OK** to continue. The screen will be off immediately.

When the TV is not in use, please switch off or disconnect the TV from the mains plug. This will also reduce energy consumption.

Standby Notifications

1. If the TV does not receive any input signal (e.g. from an aerial or HDMI source) for 5 minutes, the TV will go into standby. When you next switch-on, the following message will be displayed: "**Standby Cause No Signal**" Press **OK** to continue.
2. If the TV has been left on and not been operated for a while, the TV will go into standby. When you next switch-on, the following message will be displayed. "**Standby Cause No Operation**" Press **OK** to continue.

Features

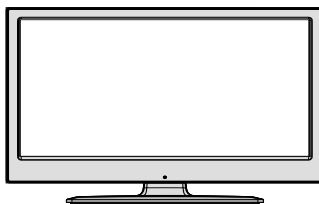
- Remote controlled colour TV.
- Fully integrated digital/cable TV (DVB-T/C).
- HDMI input are for connecting a device that has a HDMI socket.
- USB input.
- OSD menu system.
- Scart socket for external devices (such as DVD Players, PVR, video games, etc.)
- Stereo sound system.
- Teletext.
- Headphone connection.
- Automatic programming system.
- Manual tuning.
- Automatic power down after up to six hours.
- Sleep timer.
- Child lock.
- Automatic sound mute when no transmission.
- NTSC playback.

- AVL (Automatic Volume Limiting).
- PLL (Frequency Search).
- PC input.
- Plug&Play for Windows 98, ME, 2000, XP, Vista, Windows 7.
- Game Mode (Optional).

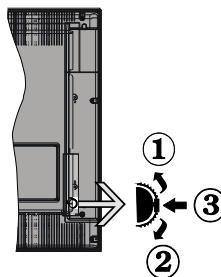
Accessories Included

- Remote Control
- Batteries: 2 x AAA
- Instruction Book

Control Buttons on the TV



TV Control Switch & Operation



1. Up direction
2. Down direction
3. Programme/Volume / AV / Standby-On selection switch

The Control button allows you to control the Volume/ Programme/ Source and Standby-On functions of the TV.

To change volume: Increase the volume by pushing the button up. Decrease the volume by pushing the button down.

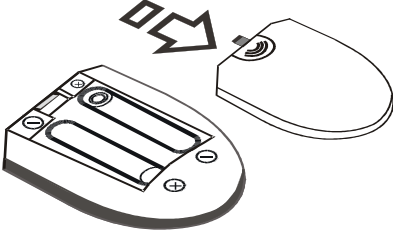
To change channel: Press the middle of the button, the channel information banner will appear on screen. Scroll through the stored channels by pushing the button up or down

To change source: Press the middle of the button twice, the source list will appear on screen. Scroll through the available sources by pushing the button up or down.

To turn the TV off: Press the middle of the button down and hold it down for a few seconds, the TV will turn into standby mode.

Inserting the Batteries into the Remote

Lift the cover on the back of the remote upward gently. Install two **AAA** batteries. Make sure to match the + and - ends of the batteries in the battery compartment (observe the correct polarity) Replace the cover.

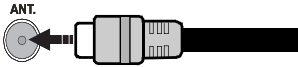


Connect Power

IMPORTANT: The TV set is designed to operate on **220-240V AC, 50 Hz** socket. After unpacking, allow the TV set to reach the ambient room temperature before you connect the set to the mains. Plug the power cable to the mains socket outlet.

Antenna/Cable Connection


Connect the "aerial" or "cable TV" plug to the AERIAL INPUT (ANT) socket located on the back of the TV.




Notification

Manufactured under license from Dolby Laboratories.

TRADEMARK ACKNOWLEDGMENT

"Dolby" and the double-D symbol are trademarks of Dolby Laboratories. 

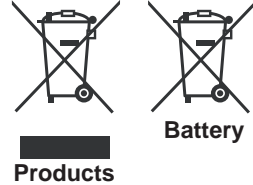
"HDMI, the HDMI logo and High-Definition Multimedia Interface are trademarks or registered trademarks of HDMI Licensing LLC." 

Information for Users on Disposal of Old Equipment and Batteries

[European Union only]

These symbols indicate that equipment with these symbols should not be disposed of as general household waste. If you want to dispose of the product or battery, please consider the collection systems or facilities for appropriate recycling.

Notice: The sign Pb below the symbol for batteries indicates that this battery contains lead.

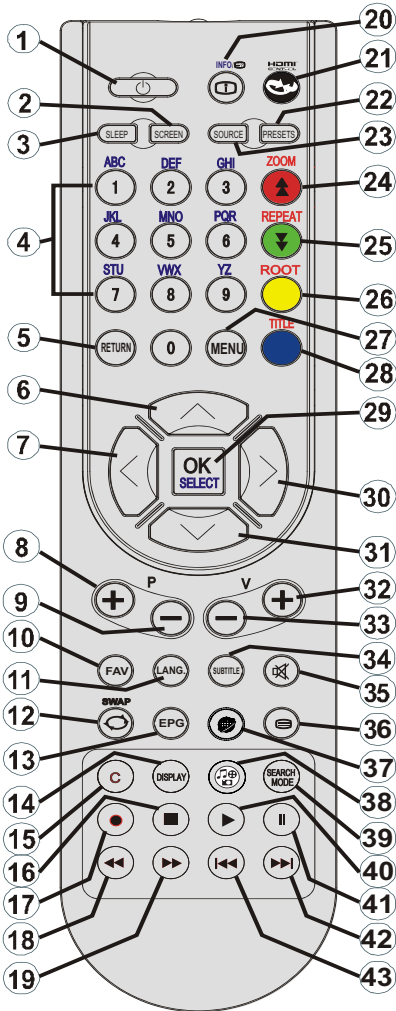


Specification

TV Broadcasting	PAL B/G D/K K
Receiving Channels	VHF (BAND I/III) - UHF (BAND U) - HYPERBAND
Number of Preset Channels	1000
Channel Indicator	On Screen Display
RF Aerial Input	75 Ohm (unbalanced)
Operating Voltage	220-240V AC, 50Hz.
Audio	German+Nicam Stereo
Audio Output Power (WRMS.) (10% THD)	2 x 2,5
Power Consumption	35 W
Weight	3,60
TV Dimensions DxLxH (with foot)	134 x 451 x 331
TV Dimensions DxLxH (without foot)	54 x 451 x 296
Operation temperature and operation humidity:	5°C up to 45°C, 85% humidity max


Getting Started

Remote Control





1. Standby
2. Image size
3. Sleep timer
4. Numeric buttons
5. Return / Exit / Index page (in TXT mode)
6. Cursor up
7. Cursor left
8. Programme Up -Page down
9. Programme Down - Page up
10. Favourite mode selection
11. Mono-Stereo Dual I-II / Current language (in DVB channels)
12. Previous programme
13. Electronic Programme Guide
14. Recordings Library
15. No function
16. Stop (in Media Browser mode)
17. Programme recording
18. Rapid reverse (in Media Browser mode)
19. Rapid advance (in Media Browser mode)
20. Info / Reveal (in TXT mode)
21. No function
22. Picture mode selection
23. AV / Source
24. Red button
25. Green button
26. Yellow button
27. Menu on/off
28. Blue button
29. OK / Select / Hold (in TXT mode)
30. Cursor right
31. Cursor down
32. Volume up
33. Volume down
34. Subtitle on-off (in DVB Channels)
35. Mute
36. Teletext / Mix
37. No function
38. Media Browser
39. No function
40. Play (in Media Browser mode)
41. Pause / Timeshift recording
42. No function
43. No function

Teletext







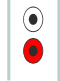
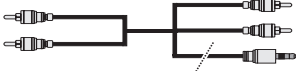







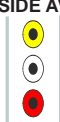







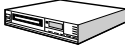


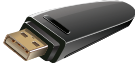
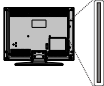

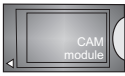
Press  button to enter. Press again to activate mix mode. Press once more to exit. Follow the instructions displayed on digital teletext screen.

Digital Teletext (for UK only)

Press  button to view digital teletext information. Operate it with the coloured buttons, cursor buttons and the **OK** button. The operation method may differ depending on the contents of the digital teletext. Follow the instructions displayed on the digital teletext screen. When the  button is pressed again, the TV returns to television broadcast.

Getting Started

Connections

Connector	Type	Cables	Device
	Scart Connection (back)		
	VGA Connection (back)		
SIDE AV 	PC/YPbPr Audio Connection (side)	 Side Audio YPbPr or PC Connection Cable (Not supplied)	
	HDMI Connection (back)		
 SPDIF	SPDIF Connection (back)		
SIDE AV 	Side AV (Audio/Video) Connection (side)	 (Not supplied)	
 HEADPHONE	Headphone Connection (side)		
	YPbPr Video Connection (back)	 PC to YPbPr Connection Cable (Not supplied)	
	USB Connection (side)		
	CI Connection (side)		

NOTE: When connecting a device via the Side AV input, you must use the supplied connection cables to enable connection. See the illustrations above. You can use YPbPr to VGA cable (not supplied) to enable YPbPr signal via VGA input. You cannot use VGA and YPbPr at the same time. To enable PC audio, you will need to use the SIDE AV CONNECTION cable's WHITE & RED inputs. If an external device is connected via the SCART socket, the TV will automatically switch to AV mode. When receiving DTV channels (Mpeg4 H.264) or while in Media Browser mode, output will not be available via the scart socket. When using the wall mounting kit (optional), we recommend that you plug all your cables into the back of the TV before mounting on the wall. Insert or remove the CI module only when the TV is SWITCHED OFF. You should refer to the module instruction manual for details of the settings.

Getting Started

First Time Installation - USB Connections

Switching On/Off

To Switch the TV On

Connect the power cord to the 220-240V AC, 50 Hz.

To switch on the TV from standby mode either:

Press the "⏻" button, **P+** / **P-** or a numeric button on the remote control.

Press the side function switch until the TV comes on from standby.

To Switch the TV Off

Press the "⏻" button on the remote control or press the side function switch until the TV switches into standby mode.

To power down the TV completely, unplug the power cord from the mains socket.

Note: When the TV is switched to standby mode, the standby LED can blink to indicate that features such as Standby Search, Over Air Download or Timer is active. The LED can also blink when you switch on the TV from standby mode.

First Time Installation

When turned on for the first time, the language selection screen is displayed. Select the desired language and press OK.

The First Time Installation (FTI) screen will be displayed next. Set your preferences using the navigation buttons and when finished, press OK to continue.

You can activate **Store mode** option to be available in "Other settings" menu and your TV's features will be illustrated on the top of the screen. A confirmation screen will be displayed. Select **YES** to proceed.

If Home Mode is selected, Store mode will not be available after the First Time Installation. Press **OK** button to continue.

Default PIN code can change depending on the selected country.

If you are asked to enter a PIN code for viewing a menu option, use one of the following codes: **4725**, **0000** or **1234**.

Aerial Installation

If you select **AERIAL** option from the **Search Type** screen, the television will search for digital terrestrial TV broadcasts.

 **NOTE:** You can press **MENU** button to cancel.

After all the available stations are stored, the Channel List will be displayed on the screen. If you like how the channels are sorted according to the LCN (*), please select "Yes" and then press **OK**.

Press **MENU** button to quit channel list and watch TV. (*) LCN is the Logical Channel Number system that organizes available broadcasts in accordance with a recognizable channel sequence (if available).

Cable Installation

If you select **CABLE** option and press **OK** button on the remote control. To continue, please select **YES** and press **OK**. To cancel operation, select **NO** and press **OK**. You can select frequency ranges from this screen.

Enter the frequency range manually by using the numeric button.

Note: Searching duration will change depending on the selected search step.

Media Playback via USB Input

You can connect a 2.5" and 3.5" inch (hdd with external power supply) external hard disk drives or USB memory stick to your TV by using the USB inputs of the TV.

IMPORTANT! Back up your files before making any connections to the TV. Manufacturer will not be responsible for any file damage or data loss. Certain types of USB devices (e.g. MP3 Players) or USB hard disk drives/memory sticks may not be compatible with this TV. The TV supports FAT32 and NTFS disk formatting but recording will not be available with NTFS formatted disks.

While formatting a USB hard disk that has 1TB (Tera Byte) or more file capacity, you can experience problems with the formatting process. Do not repeatedly quickly plug and unplug the drive. This may cause physical damage to the USB player and USB device itself. Do not pull out USB module while playing a file.

Recording a Programme

IMPORTANT: When using a new USB hard disk drive, it is recommended that you first format the disk using your TV's "Format Disk" option.

Note : To record a programme, you should first connect a USB disk to your TV while the TV is switched off. You should then switch on the TV to enable the recording feature.

To use the recording function, you need to connect a USB disk or an external hard disk drive to the TV and the connected USB disk should have at least 1 GB capacity and should have 2.0 speed compatibility. If the connected USB device does not support 2.0 speed, an error message will be displayed.

Note: Recorded programmes are saved into the connected USB disk. If desired, you can store/copy recordings onto a computer; however, these files will

not be available to be played on a computer. You can play the recordings only via your TV.

Note: Lip Sync delay may occur during the timeshifting. Radio record is supported. The TV can record programmes up to ten hours.

Recorded programmes are split into 4GB partitions.

If the writing speed of the connected USB disk is not sufficient, the recording may fail and the timeshifting feature may not be available.

It is recommended to use USB hard disk drives for recording HD programmes.

Do not plug out the USB/HDD during a recording. This may harm the connected USB/HDD.

Multipartition support is available. The maximum of two different partitions are supported. The first partition of the USB disk is used for PVR ready features. It also must be formatted as the primary partition to be used for the PVR ready features.

Some stream packets may not be recorded because of signal problems, so sometimes video may freeze during playback.

Record, Play, Pause, Display (for PlayListDialog) keys can not be used when teletext is ON. If a recording starts from timer when teletext is ON, teletext is automatically turned off. Also teletext usage is disabled when there is an ongoing recording or playback.

Timeshift Recording

Press **⏸** (PAUSE) button while watching a broadcast to activate timeshifting mode. In timeshifting mode, the programme is paused and simultaneously recorded to the connected USB disk.

Press **▶** (PLAY) button again to resume the paused programme from where you stopped. Press the STOP button to stop timeshift recording and return to the live broadcast.

Note: Timeshift cannot be used while in radio mode.

Note: You cannot use the timeshift fast reverse feature before advancing the playback with the fast forward option.

Instant Recording

Press **Ⓜ** (RECORD) button to start recording an event instantly while watching a programme. You can press **Ⓜ** (RECORD) button on the remote control again to record the next event on the EPG. In this case, an OSD will be displayed, indicating the programmed events for recording. Press **■** (STOP) button to cancel instant recording.

Note: You can not switch broadcasts or view the Media Browser during the recording mode. While recording a programme or during the timeshifting, a warning message appears on the screen if your USB device speed is not sufficient.

Watching Recorded Programmes

Select the **Recordings Library** from the **Media Browser** menu. Select a recorded item from the list (if previously recorded). Press the **OK** button to view the **Play Options**. Select an option then press **OK** button.

Note: Viewing main menu and menu items will not be available during the playback.

Press the **■** (STOP) button to stop a playback and return to the Recordings Library.

Slow Forward

If you press **⏸** (PAUSE) button while watching recorded programmes, the slow forward feature will be available. You can use **⏮** button to slow forward. Pressing **⏮** button consecutively will change slow forwarding speed.

Recording Configuration

Select the Recording Configuration item in the Settings menu to configure the recording settings.

Format Disk: You can use Format Disk feature for formatting the connected USB disk. Your pin is required to use the Format Disk feature (default pin is 0000).

Default PIN code can change depending on the selected country.






*If you are asked to enter a PIN code for viewing a menu option, use one of the following codes: **4725, 0000 or 1234.***

IMPORTANT: Note that ALL the data stored on the USB disk will be lost and the disk format will be converted to FAT32 if you activate this feature. If your USB disk malfunctions, you can try formatting the USB disk. In most cases formatting the USB disk will restore normal operation; however, ALL the data stored on the USB disk will be lost in such a case.

Note: If "USB is too slow" message is displayed on the screen while starting a recording, try restarting the recording. If you still get the same error, it is possible that your USB disk does not meet the speed requirements. Try connecting another USB disk.

Media Browser Menu

You can play photo, music, and movie files stored on a USB disk by connecting it to your TV. Connect a USB disk to one of the USB inputs located on the side of the TV. Pressing the **MENU** button while in the Media Browser mode will access the Picture, Sound and Settings menu options. Pressing the **MENU** button again will exit from this screen. You can set your Media Browser preferences by using the Settings Menu.

<i>Loop/Shuffle Mode Operation</i>	
Start playback with  and activate 	TV plays next file and loop the list.
Start playback with OK and activate 	the same file will be played in a loop (repeat).
Start playback with OK/  and activate 	the file will be played in a shuffle.

Picture Menu Contents	
Mode	You can change the picture mode to suit your preference or requirements. Picture mode can be set to one of these options: Cinema, Game, Dynamic and Natural .
Contrast	Sets contrast level of the screen.
Brightness	Sets the brightness value for the screen.
Sharpness	Sets the sharpness value for the objects displayed on the screen.
Colour	Sets the color saturation.
Power Save Mode	To set the Power Save Mode as Eco, Picture Off and Disabled. (When the Mode is Dynamic, Power Save mode is automatically set as disabled.)
Backlight (Optional)	This setting controls the backlight level. The backlight function will be inactive if the Power Save Mode is set to Eco. The backlight cannot be activated in VGA, Media Browser mode or while the picture mode is set to Game.
Noise Reduction	If the broadcast signal is weak and the picture is noisy, use the Noise Reduction setting to reduce the amount of noise.
Advanced Settings	
Dynamic Contrast	You can change the Dynamic Contrast ratio to desired value.
Colour Temp	Sets the color temperature.
Picture Zoom	Sets the desired picture size from picture zoom menu. Note: Auto (Only available in Scart mode with SCART PIN8 high voltage/low voltage switching)
Film Mode	Films are recorded at a different number of frames per second to normal television programmes. Turn this feature on when you are watching films to see the fast motion scenes clearly.
Skin Tone	Skin tone can be changed between -5 and 5.
Colour Shift	With this option you can adjust the color shift to green or to red.
RGB Gain	You can configure the colour temperature values using the RGB Gain feature.
Reset	Resets the picture settings to factory default settings.(Except Game Mode)
Autoposition (in PC mode)	Automatically optimizes the display. Press OK to optimize.
H Position (in PC mode)	This item shifts the image horizontally to the right hand side or left hand side of the screen.
V Position (in PC mode)	This item shifts the image vertically towards the top or bottom of the screen.
Dot Clock (in PC mode)	Dot Clock adjustments correct the interference that appear as vertical banding in dot intensive presentations like spreadsheets or paragraphs or text in smaller fonts.
Phase (in PC mode)	Depending on the resolution and scan frequency that you input to the TV set, you may see a hazy or noisy picture on the screen. In such a case you can use this item to get a clear picture by trial and error method.
<i>While in VGA (PC) mode, some items in Picture menu will be unavailable. Instead, VGA mode settings will be added to the Picture Settings while in PC mode.</i>	

Sound Menu Contents	
Volume	Adjusts the volume level.
Equalizer	Selects the equalizer mode. Custom settings can be made only when in user mode.
Balance	This setting is used for emphasizing left or right speaker balance.
Headphone	Sets headphone volume.
Sound Mode	You can select a sound mode. (If the selected channel supports).
AVL (Automatic Volume Limiting)	Function sets the sound to obtain fixed output level between programmes.
Digital Out	Sets digital out audio type.
Settings Menu Contents	
Conditional Access	Controls conditional access modules when available.
Language	Configures language settings (may change depending on the country selected) Preferred and current settings will be available. Current settings can be changed only if the broadcaster supports.
Parental	Enter correct password to change parental settings. You can easily adjust menu lock, maturity lock (may change depending on the country selected) and child lock in this menu. You can also set new pin number.
Timers	Sets sleep timer to turn off the TV after a certain time. Sets timers for selected programmes. (USB Record)
Recording Configuration	Displays the recording configuration menu (Usb connection required)
Date/Time	Sets date and time.
Sources	Enables or disables selected source options.
Other Settings: Displays other setting options of the TV set:	
Menu Timeout	Changes timeout duration for menu screens.
Scan Encrypted Channels	When this setting is on, the search process will locate the encrypted channels as well.
Blue Background	Activates or deactivates the blue background system when the signal is weak or absent.
Software Upgrade	To ensure that your TV always has the most up to date firmware.
Application Version	Displays application version.
Hard of Hearing	Enables any special feature sent from the broadcaster.
Audio Description	<p>Audio description refers to an additional narration track for blind and visually impaired viewers of visual media, including television and movies. You can use this feature, only if the broadcaster supports that additional narration track.</p> <p><i>Note: Audio description sound feature cannot be available in recording or time shifting mode.</i></p>
Auto TV Off	You can set the timeout value of auto off feature. When the timeout value is reached and the TV has not been operated for a selected time, the TV will go into standby mode.

TV Menu Features and Functions

Standby Search (Optional)	If the Standby Search is set to On, when the TV is in standby mode, available broadcasts will be searched. If the TV locates any new or missing broadcasts, a menu screen will be displayed, asking you whether or not to execute these changes. Channel list will be updated and changed after this process.
Store Mode	If you are displaying the TV in a store, you can activate this mode. Whilst Store Mode is enabled, some items in the TV menu may not be available.
Power Up Mode	This setting configures the power up mode preference.
Install and Retune Menu Contents	
Automatic Channel Scan (Retune) (If available)	Displays automatic tuning options. Digital Aerial: Searches and stores aerial DVB stations. Digital Cable: Searches and stores cable DVB stations. Analogue: Searches and stores analogue stations. Digital Aerial & Analogue: Searches and stores aerial DVB and analogue stations. Digital Cable & Analogue: Searches and stores cable DVB and analogue stations.
Manual Channel Scan	This feature can be used for direct broadcast entry.
Network Channel Scan	Searches for the linked channels in the broadcast system.
Analogue Fine Tune	You can use this setting for fine tuning analogue channels. This feature is not available if no analogue channels are stored.
First Time Installation	Deletes all stored channels and settings, resets TV to factory settings.

General TV Operation

Using the Channel List

The TV sorts all stored stations in the Channel List. You can edit this channel list, set favourites or set active stations to be listed by using the Channel List options.

Configuring Parental Settings

To prohibit viewing of certain programmes, channels and menus can be locked by using the parental control system.

To display parental lock menu options, the PIN number should be entered. The factory default PIN number is **0000**. After coding the correct PIN number, parental settings menu will be displayed.

Menu Lock (Optional): Menu lock setting enables or disables the menu access.

Maturity Lock (Optional): When set, this option gets the maturity information from the broadcast and if this maturity level is disabled, disables access to the broadcast.

Child Lock (Optional): When Child Lock is set, the TV can only be controlled by the remote control. In this case the control panel buttons will not work.

Set PIN: Defines a new PIN number.

Default PIN code can change depending on the selected country.

*If you are asked to enter a PIN code for viewing a menu option, use one of the following codes: **4725, 0000** or **1234**.*

Electronic Programme Guide (EPG)

Some, but not all channels send information about the current and next programmes. Press the **EPG** button to view the **EPG** menu.

Red button (Prev Day): Displays the programmes of previous day.

Green button (Next day): Displays the programmes of the next day.

Yellow button (Zoom): Expands programme information.

Blue button (Filter): Views filtering options.

SUBTITLE: Press **SUBTITLE** button to view Select Genre menu. Using this feature, you can search the programme guide database in accordance with the genre. Info available in the programme guide will be searched and results matching your criteria will be listed.


i (INFO): Displays, in detailed, information on the programme selected.

Numeric buttons (Jump): Jumps to the preferred channel directly via numeric buttons.

OK: Displays programme options.

 **(Search):** Displays “**Guide Search**” menu.

 **(Now) :** Shows the current programme.

 **(RECORD):** The TV will start to record the selected programme. You can press again to stop the recording.

P+P- : More event info

IMPORTANT: Connect a USB disk to your TV while the TV is switched off. You should then switch on the TV to enable the recording feature.

Note: Switching to a different broadcast or source is not available during a recording.

Programme Options

In **EPG** menu, press the **OK** button to enter the **Event Options** menu.

Select Channel

In **EPG** menu, using this option, you can switch to the selected channel.

Record / Delete Record Timer

After you have selected a programme in the **EPG** menu, press the **OK** button. Select the **Record** option and press the **OK** button. After this operation, a recording will be scheduled for the selected programme.

To cancel an already set recording, highlight that programme and press the **OK** button and select the option **Delete Rec. Timer**. The recording will be cancelled.

Set Timer / Delete Timer

After you have selected a programme in the **EPG** menu, press the **OK** button. Select the **Set Timer on Event** option and press the **OK** button. You can set a timer for future programmes. To cancel an already set timer, highlight that programme and press the **OK** button. Then select “**Delete Timer**” option. The timer will be cancelled.

Note: It is not possible to record two channels at the same time.

Software Upgrade

Your TV is capable of finding and updating automatically via the Aerial/Cable signal.

Software upgrade search via user interface

Simply navigate on your main menu. Choose **Settings** and select **Other Settings** menu. In **Other Settings** menu navigate on to the **Software for Upgrade** item and press **OK** button to check for a new software upgrade.

3 AM search and upgrade mode

While the TV is connected to an aerial signal. If Automatic scanning in the Upgrade Options menu is enabled, the TV wakes up at 03:00 and searches broadcast channels for new software upgrades. If new software is found and downloaded successfully, the next time the TV powers up, it will have the new software version.

Note: If the TV fails to come on after the upgrade unplug the TV for 2 minutes and plug in again.

Troubleshooting & Tips

Tv will not turn on

Make sure the power cord is plugged in securely to wall outlet. The batteries in the remote control may be exhausted. Press the Power button on the TV.


Poor picture

- Have you selected the correct TV system?
- Low signal level can cause picture distortion. Please check antenna access.
- Check if you have entered the correct channel frequency if you have done manual tuning.
- The picture quality may degrade when two devices are connected to the TV at the same time. In such a case, disconnect one of the devices.

No picture

- No Picture means that your TV is not receiving a transmission. Have you selected the correct button on the remote control? Try once more. Also make sure the correct input source has been selected.
- Is the antenna connected properly?
- Is the antenna cable damaged?
- Are suitable plugs used to connect the antenna?
- If you are in doubt, consult your dealer.

No sound

- Has the TV been set to mute? To cancel mute, press the “” button, or increase the volume level.
- Sound is coming from only one speaker. Is the balance set to one extreme? See Sound Menu section.

Remote control - does not operate

- The batteries may be exhausted. Replace the batteries.

Input sources - can not be selected

- If you cannot select an input source, it is possible that no device is connected. if not
- Check the AV cables and connections if you have tried to connect a device.

Recording unavailable

To record a programme, you should first connect a USB disk to your TV while the TV is switched off. You should then switch on the TV to enable recording feature. If you cannot record, try switching off the TV and then re-inserting the USB device.

USB is too slow

If a “USB is too slow” message is displayed on the screen while starting a recording, try restarting the recording. If you still get the same error, it is possible that your USB disk does not meet the speed requirements. Try connecting another USB disk.

PC Input Typical Display Modes

The following table is an illustration of some of the typical video display modes. Your TV may not support all resolutions. Your TV supports up to 1920x1080.

Index	Resolution	Frequency
1	1024x768	60 Hz
2	1280x768	60 Hz
3	1360x768	60 Hz
4	800x600	56 Hz
5	800x600	60 Hz
6	1024x768	66 Hz
7	1280x1024	60 Hz
8	1280x960	60 Hz
9	1400x1050	60 Hz
10	1600x1200	60 Hz
11	1920x1080	60 Hz

AV and HDMI Signal Compatibility

Source	Supported Signals	Available	
EXT (SCART)	PAL 50/60	O	
	NTSC 60	O	
	RGB 50	O	
	RGB 60	O	
Side AV	PAL 50/60	O	
	NTSC 60	O	
PC/ YPbPr	480I, 480P	60Hz	O
	576I, 576P	50Hz	O
	720P	50Hz,60Hz	O
	1080I	50Hz,60Hz	O
	1080P	50Hz,60Hz	O
HDMI1	480I	60Hz	O
	480P	60Hz	O
	576I, 576P	50Hz	O
	720P	50Hz,60Hz	O
	1080I	50Hz,60Hz	O
	1080P	24Hz, 25Hz	O
		30Hz, 50Hz, 60Hz	

(X: Not Available, O: Available)

In some cases a signal on the TV may not be displayed properly. The problem may be an inconsistency with standards from the source equipment (DVD, Set-top box, etc.). If you do experience such a problem please contact your dealer and also the manufacturer of the source equipment.

Supported File Formats for USB Mode

Media	File Extension	Format		Remarks
		Video	Audio	(Maximum resolution/Bit rate etc.)
Movie	mpg, mpeg	MPEG1, MPEG2		MPEG1: 768x576 @30P MPEG2:1920x1080 @ 30P
	vob	MPEG2		1920x1080 @ 30P
	mp4	MPEG4, Xvid , H.264		
	mkv	H.264, MPEG4,VC-1		
	avi	MPEG2, MPEG4, Xvid , H.264		
	flv	H.264/VP6/Sorenson		H.264/VP6:1920x1080 @ 30P Sorenson: 352x288 @30P
	3gp	MPEG4 , H.264		1920x1080 @ 30P
	wmv,asf	MPEG4 , VC-1		1920x1080 @ 30P
Music	.mp3	-	MPEG 1 Layer 1 / 2 (MP3)	32Kbps ~ 320Kbps(Bit rate) 32K, 44.1k, 48k Hz,16K, 22.05K, 24K Hz,8K, 11.025K, 12K Hz(Sampling rate)
Photo	.jpg .jpeg	Baseline JPEG	-	max WxH = 17000x10000 4147200bytes
	.	Progressive JPEG	-	max WxH = 4000x4000 3840000bytes
	.bmp	-	-	max WxH = 5760x4096 3840000bytes
Subtitle	.sub .srt	-	-	-

DVD Mode

Safety Information

CAUTION

DVD Player is a class 1 laser product. This product use a visible laser. This laser could harm when pointed direct to eyes. Be sure to operate the player correctly as instructed.

**CLASS 1
LASER PRODUCT**

RISK OF ELECTRIC SHOCK

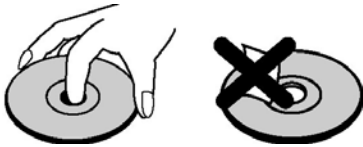
The lightning flash with arrowhead symbol, within an equilateral triangle, is intended to alert the user to the presence of uninsulated "dangerous voltage" within the product's enclosure that may be of sufficient magnitude to constitute a risk of electric shock of persons.

The exclamation point within an equilateral triangle is intended to alert the user to the presence of important operating and maintenance (servicing) instructions in the literature accompanying the appliance.

Notes on Discs

On handling discs

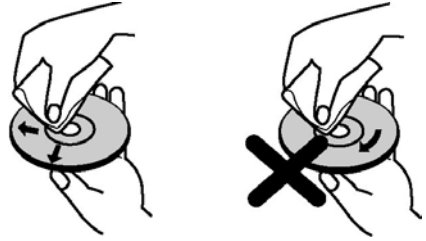
- To keep the disc clean, handle the disc by its edge. Do not touch the surface.
- Do not stick paper or tape on the disc.
- If the disc is contaminated with any substance like glue remove before using it.



- Do not expose the disc to direct sunlight or heat sources such as hot air ducts, or leave it in a car parked in direct sunlight as the temperature can rise quickly and damage the disc.
- After playing, store the disc in its case.

On cleaning

- Before playing, clean the disc with a cleaning cloth. Wipe the disc from the center out.



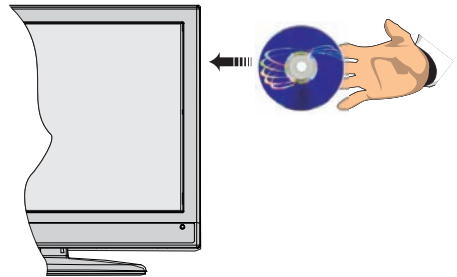
- Do not use solvents such as benzine, thinner, commercially available cleaners or anti-static spray intended for vinyl LPs.

Licence Notification

- This product incorporates copyright protection technology that is protected by U.S. patents and other intellectual property rights. Use of this copyright protection technology must be authorized by Rovi Corporation, and is intended for home and other limited viewing uses only unless otherwise authorized by Rovi Corporation. Reverse engineering and disassembly are prohibited.

How to Watch a DVD

When placing a disc into the loader, labeled side of the disc should be on the front:



When TV set is turned on, first switch to DVD source by using the **SOURCE** button on the remote control. Press play on the remote control, or directly press play button at the front panel. If there is no disc inside the loader, place a DVD first and press play.

Note: If you switch to another source by pressing **SOURCE**, **Ⓢ** or **P+/P-** buttons on the remote control, DVD playback will be paused automatically. You should press **PLAY** and resume the playback manually when you switch to DVD mode.

DVD Control Panel Buttons

A. Disc loader

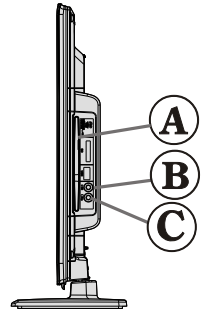
B. Play / Pause

Plays/pauses the disc. When DVD menu (root menu) is active, this button functions as "button select" (selects the highlighted item in menu) if this is not prohibited by the disc.

C. Stop / Eject

Stop playing disc / Eject or Load the disc Note:

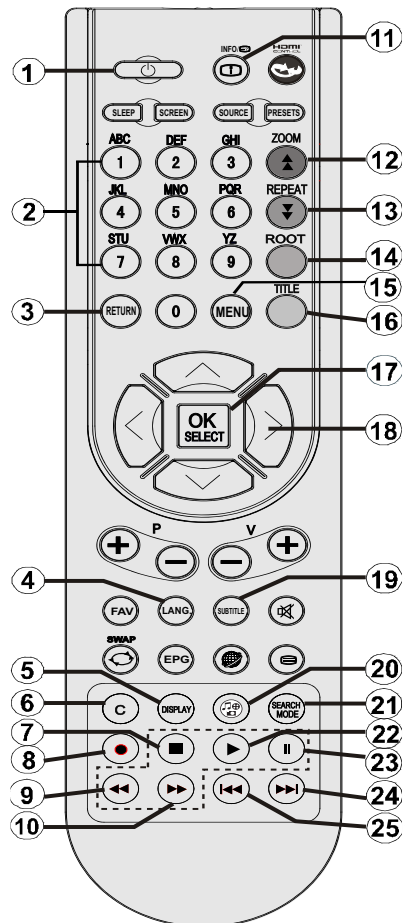
- You cannot eject the disc via the remote control.
- While playing a file, you should press STOP button three times to eject.



Overview of the Remote Control

- Standby
- Numeric buttons
- Return / back
- Language selection
- Display Time / DVD menu
- Clear
- Stop
- No function
- Rapid reverse
- Rapid advance
- Info
- Zoom
- Repeat
- Root
- Menu
- Title
- OK / Select
- Navigation buttons
- Subtitle
- Angle
- Search Mode
- Play
- Pause
- Skip next
- Skip previous

Note: Buttons not indicated with a number are not functional in DVD mode.



DVD Controls

You can operate DVD, movie CD, music or picture CD's content by using the correct buttons on your remote control. Below are main functions of commonly used remote control buttons.

Buttons	DVD Playback	Movie Playback	Picture Playback	Music Playback
▶	Play	Play	Play	Play
⏸	Pause	Pause	Pause	Pause
■	Stop	Stop	Stop	Stop
⏮ / ⏭	Skip backward/ forward	Skip backward/forward	Previous / Next	Previous / Next
◀ / ▶	Shifts the zoomed picture left or right (if available).			
▲ / ▼	Highlights a menu item / Shifts the zoomed picture up or down (if available).			
⏮ / ⏭	Rapid advance / Rapid reverse			
ANGLE	Views the scene from different angles (if available)		Changes slide effect (depends on the content)	X
C	Clears digit (if available).			
DISPLAY	Displays time / Views main setup menu			
INFO	Time counter mode selection (during playback). Press repeatedly to switch between modes.			
LANG.	Auto language		X	X
MENU	Displays TV menu.			
OK / SELECT	Enter / View / Play			
REPEAT	Displays repeat options.			
RETURN	Returns back to the previous menu (if available).			
ROOT	Goes back to the root folder (if available).			
SEARCH MODE *	Direct selection of scenes or time.		Selects the desired file.	Selects the desired file.
SUBTITLE	Subtitle on-off. Press repeatedly to switch between subtitle options.		X	X
TITLE	Displays disc menu (if available).	Displays disc menu (if available).	X	X
MENU	Zooms picture. Press repeatedly to switch between zoom options.			

Other Functions – Button Combinations (During playback)

⏸ + ⏭	Slow forward
(⏸ + ⏭) + ⏮	Sets slow forward speed
⏭ + ⏭	Sets rapid advance speed
⏮ + ⏮	Sets rapid reverse speed
■ + ■	Confirms stop command
⏸ + ⏭	Press repeatedly to advance manually

(*) You can switch to a title by pressing number buttons directly. You need to press 0 and then digit key to switch one digit titles (example: to select 5, press 0 and 5).

General Playback

Basic Play

1. Press on the power button
2. Please insert a disc to the loader.

The disc will be automatically loaded and play commences if the disc does not have any menus recorded on it.


A menu may appear on the TV screen after a few moments or the film may start immediately after the introduction of the Film Company. This behaviour depends on the disc content and may change.

Note: Step 3 and 4 is available only when a menu is recorded on the disc.

3. Press “▼” / “▲” / ◀ / ▶ or the number button (s) to select the preferred title.
4. Press OK.


Play of the selected items now starts. The played item may be a motion picture, a still picture or another submenu depending on the disc.

For your reference:

If an action corresponding to a button is prohibited the  symbol appears.

Notes on Playback:

1. No sound will be heard during Rapid advance or Rapid reverse.
2. No sound will be heard during Slow motion play.
3. Reverse slow motion play is not available.
4. In some cases, the subtitle language is not changed immediately to the selected one.
5. When the preferred language is not selected even after pressing the button several times, it means that the language is not available on the disc.
6. When the player is restarted or the disc is changed, the subtitle selection is automatically changed back to the initial settings.
7. If a language is selected, not supported by the disc, the subtitle language will automatically be set to the disc's priority language.
8. Usually a circulation will happen while switching to another language, that is you can cancel the subtitle by pressing this button a number of times until “Subtitle Off” appears on the screen.
9. When the power is turned on or the disc is removed, the language heard is the one selected at the initial settings. If this language is not recorded on the disc, only the available language on the disc will be heard.
10. Some DVDs may not contain root and/or title menus.
11. Reverse stepping is not available.
12. For your convenience:

If you attempt to enter a number greater than the total time of the current title, the time search box disappears and “ Input Invalid” message appears on up-left corner of screen.

13. Slide Show is disabled when the ZOOM mode is on.

DVD Troubleshooting

The picture quality is poor (DVD)

- Make sure the DVD disc surface is not damaged. (Scratch, fingerprint etc.)
- Clean the DVD disc and try again.

See instructions described in “Notes on Discs” to clean your disc properly.

- Ensure that the DVD disc is in the drawer with the label uppermost.
- A damp DVD disc or condensation may effect the equipment. Wait for 1 to 2 hours in Stand-by to dry the equipment.

Disc does not play

- No disc in the machine. *Place a disc into the loader.*
- Disc incorrectly loaded.

Ensure that the DVD disc is in the drawer with the label uppermost.

- Wrong type of disc. The machine cannot play CD-ROMS etc. • The region code of the DVD must match the player.

Wrong OSD language

- Select the language in the set-up menu.
- The language for the sound or subtitles on a DVD cannot be changed.
- Multilingual sound and/or subtitles not recorded on the DVD.
- Try to change the sound or subtitles using DVD's title menu. Some DVD's do not allow the user to change these settings without using the disc's menu
- These functions are not available on the DVD.

No picture

- Have you pressed the correct buttons on the remote control? Try once more.

No sound

- Check the volume is set to an audible level.
- Make sure you have not switched the sound off accidentally.





Distorted sound

- Check that the appropriate listening mode setting is correct.

If nothing works

If you have tried the above solutions and none seem to work, try switching your TV-DVD off and on again. If this does not work, contact your supplier or TV-DVD repair technician. Never attempt to repair a defective TV-DVD yourself.

Disc Types Compatible with This Unit

Disc Types (Logos)	Recording Types	Disc Size	Max. Playing Time	Characteristics
	Audio + Video	12 cm	Single-sided; 240 min. Double-sided; 480 min.	<ul style="list-style-type: none"> DVD contains excellent sound and video due to Dolby Digital and MPEG-2 System. Various screen and audio functions can be easily selected through the on screen menu.
	Audio	12 cm	74 min.	<ul style="list-style-type: none"> An LP is recorded as an analog signal with more distortion. CD is recorded as a Digital Signal with better audio quality, less distortion and less deterioration of audio quality over time.
	Audio (xxxx.mp3)	12 cm	It depends on MP3 quality.	<ul style="list-style-type: none"> MP3 is recorded as a Digital Signal with better audio quality, less distortion and less deterioration of audio quality over time.
	Video (still picture)	12 cm	It depends on JPEG quality.	<ul style="list-style-type: none"> JPEG is recorded as a Digital Signal with better picture quality over time.

For proper operation, only 12 cm discs must be used.



Specifications

Types of Discs Supported	DVD: SS/SL 4.7" (DVD-5)	CD-DA
	SS/DL 4.7" (DVD-9)	CD-R
	DS/SL 4.7" (DVD-10)	CD-RW
	DS/DL 4.7" (DVD-18)	MP-3/JPEG
Video Type	MPEG-2 Video Standard Decoding (MPEG-1 supported) Full-Screen Video Display of 720 x 576 (PAL) & 720 x 480 (NTSC) pixels 50 and 60 Hz frame refresh rates (PAL & NTSC) Digital bit-stream processing rate up to 108Mbits/sec Line resolution more than 500 lines	
Audio Type	MPEG Multichannel Decoding LPCM	
Audio Output	Analog Outputs: 24 bit /48, 44.1kHz down-sampling DAC	

Inhalt

Sicherheitsinformationen	22
Erste Schritte	23
Meldungen & Eigenschaften & Zubehör	23
TV Eigenschaften	23
Steuertasten am TV-Gerät	23
Stromversorgung anschließen	24
Fernbedienung	25
Anschlüsse	26
Menü Medienbrowser	29
TV Menü Funktionen	30
Allgemeine Bedienung	32
Verwendung der Senderliste	32
Jugendschutzeinstellungen	32
EPG (Elektronischer Programmführer)	32
Softwareaktualisierung	33
Fehlerbehebung & Tipps	33
Typische Anzeigemodi PC-Eingang	35
Beim USB Modus unterstützte Dateiformate	35
AV- und HDMI-Signalkompatibilität	35
DVD-MODUS	36
Hinweise zu Discs	36
Lizenzinformationen	36
Wie Schauen Sie eine DVD an	36
Tasten am Bedienfeld für DVD	37
Übersicht über die Fernbedienung	37
Allgemeine Wiedergabe	39
DVD-Fehlerbehebung	39
Lizenzinformationen	40
Mit diesem Gerät kompatible Disc-Typen:	41
Technische Daten	41

Sicherheitsinformationen

	VORSICHT	
GEFAHR ELEKTRISCHER SCHLÄGE! NICHT OFFNEN!		
<p>VORSICHT: UM DIE GEFAHR VON STROMSCHLAG ZU REDUZIEREN, DECKEL NICHT ABNEHMEN (ODER GEHÄUSE) DIESES GERÄT KANN NICHT VOM NUTZER REPARIERT WERDEN. WENDEN SIE SICH AN QUALIFIZIERTES SERVICEPERSONAL.</p>		

Ein Betrieb des TV-Geräts unter extremen Umgebungsbedingungen kann zur Beschädigung des Geräts führen.



Trennen Sie das TV Gerät vom Netz bei Gewitter, oder wenn Sie das Gerät für eine längere Zeit nicht nutzen. Der Netzstecker wird verwendet, um das TV-Gerät vom Netz zu trennen und muss daher stets gut zugänglich sein.



Das Ausrufezeichen in einem gleichseitigen Dreieck soll den Benutzer auf wichtige Bedienungs-, Wartungs- und Reparaturhinweise in den mitgelieferten Dokumenten aufmerksam machen.









Bitte lesen Sie diese Anleitung vollständig vor der Installation oder Inbetriebnahme

⚠️ WARNHINWEIS: Lassen Sie niemals Personen (einschließlich Kinder) mit eingeschränkten physischen, sensorischen oder geistigen Fähigkeiten oder mangels Erfahrung und / oder Kenntnisse unbeaufsichtigt elektrische Gerät benutzen!

- Halten Sie um das Fernsehgerät mindestens 10 cm Abstand zu Möbeln etc. ein, um eine ausreichende Luftzirkulation zu gewährleisten.
- Blockieren Sie niemals die Belüftungsöffnungen und -löcher.
- Stellen Sie den Fernseher nicht auf geneigten oder instabilen Flächen. Das Fernsehgerät kann umkippen.
- Verwenden Sie dieses Gerät nur bei gemäßigten Klimabedingungen.
- Der Stecker des Netzkabel sollte leicht zugänglich sein. Stellen Sie keine Gegenstände auf das Netzkabel (weder das Gerät selbst, noch Möbel usw.) und klemmen Sie das Kabel nicht ein. Beschädigungen am Netzkabel/Netzstecker können zu Bränden oder Stromschlägen führen. Handhaben Sie das Netzkabel immer am Stecker, trennen Sie das TV-Gerät nicht durch Ziehen des

Netzsteckers vom Netz. Berühren Sie niemals das Netzkabel / den Netzstecker mit nassen Händen, da dies einen Kurzschluss oder elektrischen Schlag verursachen kann. Machen Sie niemals Knoten in das Netzkabel, und binden Sie es nie mit anderen Kabeln zusammen. Wenn es beschädigt ist, muss es ersetzt werden, jedoch sollte dies nur von qualifiziertem Personal durchgeführt werden. Setzen Sie den Bildschirm nicht hellem Sonnenlicht aus. Sollte ein harter Gegenstand auf das Gerät fallen oder Flüssigkeit in das Gerät eindringen, müssen Sie das Gerät ausstecken und durch eine qualifizierte Fachkraft überprüfen lassen, bevor es wieder betrieben werden kann.

- Setzen Sie das TV nicht direkter Sonneneinstrahlung oder anderen Wärmequellen aus. 
- Das Gerät darf weder offenem Feuer noch anderen Quellen intensiver Hitzeabstrahlung, wie elektrischen Radiatoren, ausgesetzt werden.
- Zu hoher Schalldruck oder zu hohe Lautstärken von Kopf- oder Ohrhörern können zu Gehörschäden führen.
- Stellen Sie sicher, dass keine offenen Flammen, wie z. B. brennende Kerzen, auf das Gerät gestellt werden. 
- Um Verletzungen zu vermeiden, muss dieses TV-Gerät in Übereinstimmung mit den Installationsanweisungen sicher an der Wand befestigt werden (wenn diese Option verfügbar ist).
- Gelegentlich können einige inaktive Pixel als unveränderlich blaue, grüne oder rote Punkte erscheinen. Wir möchten ausdrücklich darauf hinweisen, dass dies die Leistung oder Funktionsfähigkeit Ihres Produkts aber in keiner Weise beeinträchtigt. Achten Sie darauf, den Bildschirm mit den Fingernägeln oder anderen harten Gegenständen nicht zu zerkratzen.
- Ziehen Sie vor der Reinigung des Fernsehens den Netzstecker aus der Steckdose. Benutzen Sie nur ein weiches und trockenes Tuch.

 Warnhinweis	Schweres oder tödliches Verletzungsrisiko Verletzungs- und Schadensrisiko
 * Gefahr elektrischer Schläge	Gefährliches Spannungsrisiko
 Wichtig!	Betreiben Sie das System korrekt
 Hinweis	Zusätzliche Hinweise markiert

Erste Schritte

Meldungen & Eigenschaften & Zubehör

Umweltinformationen

Dieses TV-Gerät wurde so konstruiert, dass es die Umwelt schützt und weniger Energie verbraucht. Um den Energieverbrauch zu senken, gehen Sie wie folgt vor:

Wenn Sie den Öko-Modus auf **Ein** setzen, schaltet das Gerät in den stromsparenden Modus um. Die Energieparmodus Einstellungen befinden sich im Abschnitt „Bild“ des Hauptmenüs. Ist dies nicht der Fall, können die Einstellungen nicht geändert werden.

Wenn Sie die Option „Bild aus“ ausgewählt haben wird eine Meldung erscheinen und der Bildschirm sich nach 3 Sekunden abschalten.

Schalten Sie das Gerät aus oder ziehen Sie den Netzstecker, wenn das TV-Gerät nicht verwendet wird. Dies wird auch den Energieverbrauch reduzieren.

Standby-Meldungen

Wenn das Fernsehgerät für 5 Minuten keinen Eingangssignal empfängt (z.B. von einer Antenne oder HDMI Quelle), wird sich das TV-Gerät in Standby versetzen. Wenn Sie das TV-Gerät wieder einschalten wollen drücken Sie die Ein Taste auf der Fernbedienung. Es wird die Meldung „Standby kein Signal“ erscheinen, drücken Sie OK um fortzufahren. Sollten Sie das TV-Gerät für vier Stunden nicht benutzen wird es sich automatisch in den Standby versetzen. Wenn Sie das TV-Gerät wieder anschalten erscheint eine Meldung. Wählen Sie WEITER und drücken Sie OK um fortzufahren.

TV Eigenschaften

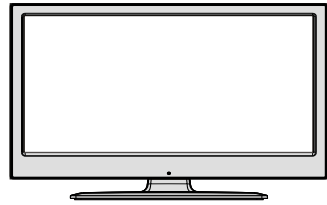
- Fernbedienbares Farbfernsehgerät
- Vollintegriertes Digital Terrestrisch-/Kabel-TV-Gerät (DVB-T/C)
- HDMI zum Anschluss digitaler externer Geräte
- USB zum Abspielen von Medien von einem USB Gerät.
- OSD-Menüsystem
- SCART zum Anschluss von analogen externen Geräten
- Stereo-Audiosystem
- Teletext.
- Kopfhöreranschluss.
- Autoprogrammierung.
- Manuelle Sendereinstellung
- Automatische Abschaltung nach bis zu sechs Stunden.
- Ausschalttimer
- Kindersicherung

- Automatische Stummschaltung, wenn keine Übertragung stattfindet.
- NTSC-Wiedergabe.
- AVL (Automatische Tonbegrenzung)
- PLL (Frequenzsuche)
- PC-Eingang.
- Plug&Play für Windows 98, ME, 2000, XP, Vista, Windows 7.
- Spielmodus (Optional)

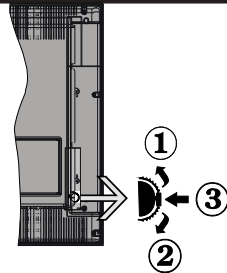
Zubehör im Lieferumfang

- Fernbedienung
- Batterien: 2 x AAA
- Bedienungsanleitung

Steuertasten am TV-Gerät



TV-Bedientasten & Betrieb



1. Nach oben
2. Nach unten
3. Programm/Lautstärke/AV/Standby-Schalter

Der Kontrol-Schalter ermöglicht Ihnen die Lautstärke / Programme / Quellen und Standby-Ein-Funktionen des Fernsehers zu steuern.

Um die Lautstärke zu ändern: Erhöhen Sie die Lautstärke durch Drücken der Taste nach oben. Verringern Sie die Lautstärke durch Drücken der Taste nach unten.

Kanal wechseln: Kanal wechseln: Blättern Sie durch die gespeicherten Kanäle durch Drücken der Taste nach oben oder unten

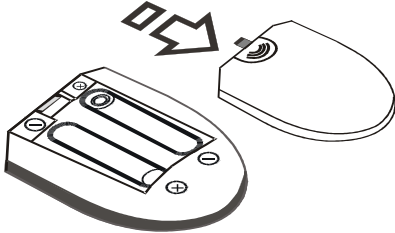
Zum Ändern der Signalquelle: Drücken Sie die Mitte der Taste zweimal, nun erscheint die Quellenliste auf dem Bildschirm. Sie können durch die Quellenliste

blättern indem Sie das Rad nach oben oder unten bewegen.

TV ausschalten: Drücken Sie die Mitte der Taste nach unten und halten Sie sie für ein paar Sekunden, der Fernseher wird in den Standby-Modus versetzt.

Legen Sie die Batterien in die Fernbedienung ein

Nehmen Sie die Abdeckung an der Rückseite der Fernbedienung vorsichtig ab. Legen Sie zwei Batterien vom Typ **AAA** ein. Achten Sie auf die richtige Polarität der Batterien.

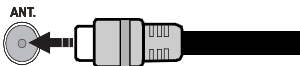


Stromversorgung anschließen

WICHTIG: Das Gerät ist nur für den Betrieb mit **220-240V** Wechselspannung bei einer Frequenz von 50 Hz ausgelegt. Geben Sie Ihrem Gerät nach dem Auspacken genug Zeit, sich der Raumtemperatur der Umgebung anzupassen, bevor Sie es einstecken. Stecken Sie das Netzkabel in eine Netzsteckdose.

Anschluss der Antenne

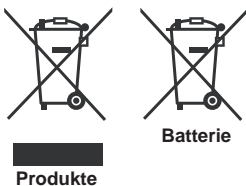
Schließen Sie den Antennen- oder Kabel-TV-Stecker an die Buchse **ANTENNENEINGANG (ANT)** an der Rückseite des TV-Geräts an.



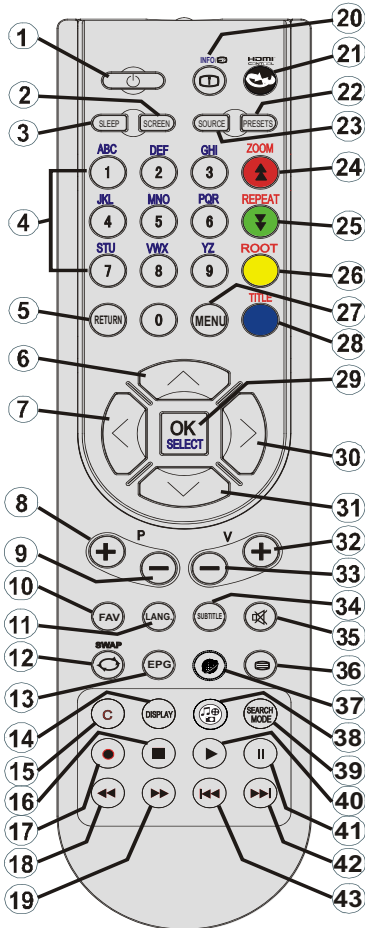
Informationen über die Entsorgung von Altgeräten und Batterien

Diese Symbole zeigen an, dass das elektrische oder elektronische Gerät am Ende seiner Nutzungsdauer nicht als normaler Haushaltsmüll entsorgt werden dürfen. Wenn Sie dieses Produkt oder Batterien entsorgen wollen, beachten Sie bitte die Sammelsysteme und -einrichtungen für die entsprechende Wiederverwertung.

Hinweis: Das Zeichen **Pb** unter dem Batteriesymbol zeigt an, dass diese Batterie Blei enthält.





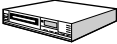








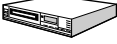










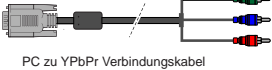
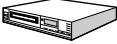






Technische Daten	
TV-Übertragung	PAL B/G D/K K
Empfangskanäle	VHF (BAND I/III) - UHF (BAND U) - HYPERBAND
Anzahl der voreingestellten Kanäle	1000
Kanalanzeige	Bildschirmanzeige
RF-Antenneneingang	75 Ohm (nicht geregelt)
Operating Voltage	220-240V AC, 50 Hz.
Audio	Deutsch+Nicam Stereo
Audio Ausgangsleitung (WRMS.) (10% THD)	2 x 2,5
Stromverbrauch	35 W
Gewicht	3,60
Gerätemaße (mit Fuß) (BxTxH)	134 x 451 x 331
Gerätemaße (ohne Fuß) BxTxH	54 x 451 x 296
Betriebstemperaturen und Luftfeuchtigkeit	5°C bis 45°C, 85% Luftfeuchtigkeit max



1. Standby
2. Bildgröße
3. Ausschalttimer
4. Zifferntasten
5. Return / Verlassen / Indexseite (im TXT-Modus)
6. Cursor nach oben
7. Cursor nach links
8. Programm vorwärts - Seite nach unten
9. Programm Zurück - Programm weiter
10. Auswahl Favoritenmodus
11. Mono- Stereo / Dual I-II / Aktuelle Sprache (bei DVB-Kanälen)
12. Vorhergehendes Programm
13. Elektronischer Programmführer
14. Aufnahmebibliothek
15. Keine Funktion
16. Stop (im Medienbrowser-Modus)
17. Aufnahme von Sendungen
18. Schneller Rücklauf (im Medienbrowser-Modus)
19. Schneller Vorlauf (im Medienbrowser-Modus)
20. Info / Anzeige (im TXT-Modus)
21. Keine Funktion
22. Auswahl Bildmodus
23. AV / Quelle
24. Taste Rot
25. Taste Grün
26. Taste Gelb
27. Menü Ein/Aus
28. Blaue Taste
29. OK / Auswahl / Halten (im TXT-Modus)
30. Cursor nach rechts
31. Cursor nach unten
32. Lauter
33. Leiser
34. Untertitel ein-aus (bei DVB Kanälen)
35. Stummschaltung
36. Teletext/ Mix
37. Keine Funktion
38. Medienbrowser
39. Keine Funktion
40. Wiedergabe (im Medienbrowser-Modus)
41. Pause / Timeshift-Aufnahme
42. Keine Funktion
43. Keine Funktion

Teletext

Drücken Sie zum öffnen des Teletextes die Taste "TXT" auf Ihrer Fernbedienung. Drücken Sie erneut, um Mix-Modus zu aktivieren. Drücken Sie nochmals diese Taste, um den Modus wieder zu verlassen. Folgen Sie den Anweisungen, die auf dem Bildschirm des digitalen Teletextes angezeigt werden.

Stecker	Typ	Kabel	Gerät
	Scart-Anschluss (Rückseite)		
	VGA Anschluss (Rückseite)		
Seiten-AV 	PC/YPbPr Audio Anschluss (Seite)	 seitlicher Audio YPbPr oder PC Verbindungskabel (nicht mitgeliefert)	
	HDMI Anschluss (Rückseite)		
 SPDIF	SPDIF Anschluss (Rückseite)		
Seiten-AV 	Seiten-AV Audio / Video Anschluss (Seite)	 (nicht mitgeliefert)	
KOPFHÖRER 	Kopfhörer Anschluss (Seite)		
	YPbPr Video Anschluss (Rückseite)	 PC zu YPbPr Verbindungskabel (nicht mitgeliefert)	
	USB Anschluss (Seite)		
	CI Anschluss (Seite)		

HINWEIS: Wenn Sie ein Gerät über den seitlichen AV-Eingang anschließen, müssen Sie das mitgelieferten Anschlusskabel nutzen. Siehe dazu die Abbildung oben. | Um PC Audio nutzen zu können müssen Sie die PC / YPbPr Audioverbindungskabel verwenden. | Um PC-Audio zu nutzen, müssen Sie die Rot-Weiß-Eingänge des mitgelieferten SIDE AV CONNECTION Kabels benutzen. | Wenn ein externes Gerät über den SCART-Anschluss angeschlossen wird, schaltet das Fernsehen automatisch in den AV-Modus. | Wenn Sie gerade DTV-Kanäle empfangen oder im Medienbrowsermodus sind, ist die Ausgabe über die Scart-Buchse nicht verfügbar. | Bei Verwendung des Wandmontage-Satzes (optional), empfehlen wir Ihnen, dass Sie vor der Montage an der Wand, alle Ihre Kabel an die Rückseite des Fernsehers anschließen. | Sie dürfen nur dann das CI-Modul einsetzen oder herausnehmen, wenn das TV-Gerät ABGESCHALTET ist. Weitere Informationen über die Einstellungen finden Sie in der Bedienungsanleitung des Moduls.

Erste Schritte

Erste Installation (*)

Ein-/Ausschalten

Einschalten des TV-Geräts

Schließen Sie das Netzkabel an ein 220-240V AC-Netz mit 50 Hz an.

Um das TV-Gerät aus dem Standby einzuschalten,

Drücken Sie die Taste "⏻", **P+** / **P-** oder eine Zifferntaste auf der Fernbedienung.

Drücken Sie die Standby-Taste, um den Fernseher auf Standby-Betrieb zu schalten.

TV-Gerät ausschalten

Drücken Sie die Taste "⏻" auf der Fernbedienung oder drücken Sie für ein paar Sekunden das Rad am TV-Gerät. Das Gerät schaltet in den Standby-Modus.

Um das TV-Gerät ganz abzuschalten, ziehen Sie den Netzstecker aus der Steckdose.

***Hinweis:** Wenn das TV-Gerät in den Standby-Modus geschaltet wird, kann die LED blinken, um anzuzeigen, dass bestimmte Funktionen wie die Standby-Suche, Download über Antenne oder ein Timer aktiv sind. Die LED kann auch blinken, wenn Sie das TV-Gerät aus dem Standby-Modus einschalten.*

Erste Installation

Nach dem ersten Anschalten erscheint das "Sprachauswahl"-Menü. Wählen Sie die gewünschte Sprache und drücken Sie OK.

Folgen Sie nun den Anweisungen auf dem Bildschirm und die Erstinstallation zu beenden.

Wenn der **Geschäftsmodus** ausgewählt ist, wird die Store-Modus-Option im Menü andere Einstellungen zur Verfügung stehen und Ihre TV-Features werden auf dem oberen Rand des Bildschirms dargestellt. Es wird ein Dialogfeld zur Bestätigung angezeigt: Wählen Sie JA, um fortzufahren.


Ist der Heimmodus gewählt stehen die Geschäftsmodus Optionen nicht zur Verfügung. Drücken Sie OK um fortzufahren.

Der Standard-PIN-Code kann sich je nach dem ausgewählten Land ändern.

Wenn Sie aufgefordert werden, einen PIN-Code für die Anzeige einer Menü-Option einzugeben, verwenden Sie eine der folgenden Codes: **4725**, **0000** oder **1234**

Antenneninstallation

Wenn Sie die Option ANTENNE im Bildschirm Suchtyp auswählen, sucht das DTV nach digitalen terrestrischen TV-Sendern.

 **HINWEIS:** Sie können die Taste **MENU** drücken, um abzubrechen.

Wenn alle Kanäle gespeichert sind, wird die Kanalliste auf dem Bildschirm angezeigt. Wenn Sie die Kanäle nach LCN (*) sortieren wollen, wählen Sie "Ja" und drücken Sie dann **OK**.

Drücken Sie die Taste **OK**, um die Kanalliste zu schließen und fernzusehen.

(*) LCN ist das logische Kanalnummer System, welches verfügbare Sender laut einer erkennbaren Kanal-Sequenz organisiert (falls vorhanden).

Kabelinstallation

Wählen Sie die Option „**Aufnahme**“ und drücken Sie die Taste **OK**. Um fortzufahren, wählen Sie bitte **JA** und drücken Sie die Taste **OK**. Um den Vorgang abubrechen, wählen Sie **NEIN** und drücken Sie anschließend die Taste **OK**. In diesem Bildschirm können Sie die Frequenzbereiche wählen.

Geben Sie die Kanalnummer oder -Frequenz über die Zifferntasten ein.

***Hinweis:** Die Erscheinung des Menüs ändert sich mit den ausgewählten Optionen.*

Medienwiedergabe über USB-Eingang

Über die USB-Eingänge am TV-Gerät können Sie eine USB-Festplatte oder einen USB-Speicherstick an das TV-Gerät anschließen.

WICHTIG! Sichern Sie Ihre Daten, bevor Sie das USB-Gerät mit dem Fernseher verbinden. Der Hersteller übernimmt keinerlei Haftung für beschädigte oder verlorene Daten. Unter Umständen sind bestimmte Arten von USB-Geräten (z. B. MP3-Player) oder USB-Festplattenlaufwerke/-Speichersticks mit diesem TV-Gerät nicht kompatibel. Das Fernsehgerät unterstützt FAT32 oder NTFS formatierte Festplatten. Eine Aufnahme ist nur auf einer FAT32 formatierten Festplatte möglich.

Beim Formatieren von USB-Festplatten mit 1 TB (Terabyte) Speicher oder mehr können unter Umständen Probleme auftreten. Stecken Sie das Laufwerk nicht mehrmals schnell hintereinander an- und wieder ab. Dadurch könnten physische Schäden am USB-Player und am USB-Gerät selbst entstehen. Ziehen Sie das USB-Gerät nicht ab, während eine Datei wiedergegeben wird.

Aufzeichnen eines Programms

WICHTIG: Wenn Sie ein neues USB-Festplattenlaufwerk verwenden, sollten Sie dieses zuerst mit der Option „Disk formatieren“ des TV-Geräts formatieren.

Hinweis: Um ein Programm aufzunehmen, sollten Sie zuerst eine USB-Festplatte an das TV-Gerät anschließen, wenn dieses ausgeschaltet ist. Schalten Sie zuerst das TV-Gerät an.

Um die Aufnahmefunktion verwenden zu können, müssen Sie eine USB-Festplatte oder ein externes Festplattenlaufwerk mit dem USB 2.0-Standard und einer Kapazität von mindestens 1 GB an das TV-Gerät anschließen. Unterstützt das angeschlossene Gerät nicht den 2.0-Standard, wird eine Fehlermeldung angezeigt.

Hinweis: Aufgenommene Programme werden auf der angeschlossenen USB-Festplatte gespeichert. Falls gewünscht können Sie diese gespeicherten Aufnahmen auf einen PC kopieren oder sichern. Sie können die Dateien aber nicht auf einem Computer abspielen. Sie können diese Aufnahmen nur über Ihr TV-Gerät ansehen.

Hinweis: Bei der Timeshift-Aufnahme können Fehlsynchronisationen von Bild und Ton auftreten. Die Aufnahme von Radioprogrammen wird nicht unterstützt. Das TV-Gerät kann, abhängig von der Speicherkapazität des angeschlossenen USB Laufwerks, bis zu zehn Stunden aufzeichnen.

Aufgezeichnete Programme werden in Teile von je 4GB unterteilt.

Wenn die Schreibgeschwindigkeit der angeschlossenen USB-Festplatte nicht ausreicht, funktioniert die Aufnahme u. U. nicht bzw. steht die Timeshift-Funktion nicht zur Verfügung.

Aus diesem Grund empfehlen wir, für die Aufnahme von HD-Programmen stets USB-Festplattenlaufwerke zu verwenden.

Trennen Sie während der Aufnahme die USB-HDD nicht vom Gerät. Dies könnte die USB-HDD beschädigen.

Auch mehrere Partitionen werden unterstützt. Maximal zwei Partitionen werden unterstützt. Für die PVR-Ready-Funktionen wird die erste Partition der USB-Festplatte verwendet. Sie muss als primäre Partition formatiert werden, damit die PVR-Ready-Funktionen verwendet werden können.

Einige Streampakete werden u. U. auf Grund von Signalproblemen nicht aufgezeichnet, daher kann das Video bei der Wiedergabe an einigen Stellen einfrieren.

Wenn der Teletext aktiviert ist, können die Tasten Aufnahme, Wiedergabe, Pause, Anzeigen (für den

Wiedergabelistendialog) nicht verwendet werden. Wenn eine Aufnahme beginnt und der Teletext eingeschaltet ist, wird der Teletext automatisch abgeschaltet. Ebenso wird bei einer laufenden Aufnahme oder Wiedergabe die Teletextfunktion deaktiviert.

Drücken Sie die Taste **||** (PAUSE), während Sie eine Sendung ansehen, um in den Timeshift-Modus zu schalten. Im Timeshift-Modus wird das Programm angehalten und gleichzeitig auf dem angeschlossenen USB-Laufwerk gespeichert.

Drücken Sie nochmals die Taste **▶** (WIEDERGABE), um das Programm vom Zeitpunkt der Unterbrechung an weiter anzusehen. Drücken Sie die Taste (STOP), um eine Wiedergabe anzuhalten und zur Aufnahmebibliothek zurückzukehren.

Hinweis: Timeshift kann im Radio-Modus nicht verwendet werden.

Hinweis: Sie können die Timeshift-Rücklauf-Funktion nicht benutzen bevor Sie mit der schnellen Vorlauf-Option die Wiedergabe vorwärts spielen.

Drücken Sie die Taste **●** (AUFNAHME), um die Aufnahme einer Sendung beim Ansehen sofort zu starten. Sie können die Taste **●** (AUFNAHME) auf der Fernbedienung nochmals drücken, um die nächste Sendung im EPG aufzuzeichnen. In diesem Fall zeigt die OSD-Anzeige die zur Aufnahme programmierten Sendungen an. Drücken Sie die Taste **■** (STOP), um die Sofortaufnahme zu stoppen.

Hinweis: Sie können keine Sendungen umschalten oder im Aufnahme-Modus den Medienbrowser ansehen. Während der Aufzeichnung eines Programms oder während Timeshifting, erscheint eine Warnmeldung auf dem Bildschirm, wenn die Geschwindigkeit Ihres USB-Gerätes nicht ausreichend ist.

Wählen Sie die Aufnahmebibliothek im Medienbrowser. Wählen Sie mit den Navigationstasten im Medienbrowser die gewünschte Aufnahme aus (sofern vorhanden). Drücken Sie OK, um die **Wiedergabeoptionen** zu sehen. Wählen Sie die Option "Aufnahme" und drücken Sie die Taste OK.

Hinweis: Während der Wiedergabe ist das Ansehen des Hauptmenüs und der Menüoptionen nicht möglich.

Drücken Sie die Taste **■** (STOP), um eine Wiedergabe anzuhalten und zur Aufnahmebibliothek zurückzukehren.

Langsamer Vorlauf

Wenn Sie beim Ansehen von aufgenommenen Programmen die Taste **||** (PAUSE) drücken, ist die Zeitlupenwiedergabe vorwärts möglich. Dazu können Sie die **▶▶** Taste verwenden. Durch wiederholtes Drücken der **▶▶** Taste können Sie die Zeitlupengeschwindigkeit ändern

Aufnahmeeinstellungen

Um die Aufnahmeeinstellungen festzulegen, wählen Sie die Option Aufnahmeeinstellungen im Menü Einstellungen.

Festplatte formatieren: Mit dieser Funktion können Sie die angeschlossene Festplatte formatieren. Ihre PIN wird benötigt, um die Funktion Disk Formatieren (Standard-PIN ist 0000) zu verwenden.

Der Standard-PIN-Code kann sich je nach dem ausgewählten Land ändern.

Wenn Sie aufgefordert werden, einen PIN-Code für die Anzeige einer Menü-Option einzugeben, verwenden Sie eine der folgenden Codes: **4725**, **0000** oder **1234**.




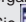
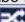
WICHTIG: Beachten Sie, dass beim Formatieren ALLE auf dem USB-Laufwerk gespeicherten Daten verloren gehen und das Laufwerk neu mit FAT32 formatiert wird. Auch bei Störungen des USB-Laufwerks können Sie versuchen, dieses neu zu formatieren. In den meisten Fällen kann dadurch die normale Funktion der USB-Festplatte erreicht werden. Allerdings gehen dabei ALLE auf der USB-Festplatte gespeicherten Daten verloren.

Hinweis: Wird die Meldung „USB ist zu langsam“ auf dem Bildschirm angezeigt, wenn Sie eine Aufnahme starten, versuchen Sie, die Aufnahme nochmals zu starten. Wenn Sie dieselbe Fehlermeldung erhalten, kann es sein, dass Ihre USB-Festplatte die Geschwindigkeitsanforderungen nicht erfüllt. Versuchen Sie, eine andere USB-Festplatte anzuschließen.

Menü Medienbrowser

Sie können auf einer USB-Festplatte gespeicherte Foto-, Musik- und Videodateien wiedergeben, wenn Sie diese an Ihr TV-Gerät anschließen und den Medienbrowser starten. Schließen Sie eine USB-Festplatte an den USB-Eingang seitlich am TV-Gerät an. Wenn Sie im Medienbrowser die Taste **MENU** drücken, gelangen Sie zu den Bild, Ton und Einstellungen Menüoptionen. Drücken Sie **MENU**, um diesen Bildschirm zu verlassen. Sie können Ihre Einstellungen für den Medienbrowser mit dem Dialog Einstellungen anpassen.

Endlos/Zufallswiedergabe

Starten Sie die Wiedergabe mit  und aktivieren Sie 	Das TV-Gerät spielt die nächste Datei und wiederholt die Liste.
Starten Sie die Wiedergabe mit OK und aktivieren Sie 	Die gleiche Datei wird in einer Endloswiedergabe (Wiederholung) wiedergegeben.
Starten Sie die Wiedergabe mit OK/  und aktivieren Sie 	Die Datei wird in einer Zufallswiedergabe wiedergegeben.

Bilder Menü Inhalt	
Modus	Sie können den Bildmodus ändern um es nach Ihren Wünschen oder Anforderungen anzupassen. Der Bildmodus kann auf eine der folgenden Optionen eingestellt werden. Kino, Spiel, Dynamisch und Natürlich..
Kontrast	Stellt die Kontrastwerte des Bildschirms ein.
Helligkeit	Stellt die Helligkeit des Bildschirms ein.
Schärfe	Stellt die Schärfe der am Bildschirm dargestellten Objekte ein.
Farbe	Stellt die Farbsättigung und damit die Farbe ein.
Energiesparmodus	Um den Energiesparmodus auf Ökō, Bild-Aus oder Deaktiviert einzustellen. (Wenn der Modus auf Dynamisch gesetzt ist, wird der Energiesparmodus automatisch als deaktiviert eingestellt.)
Hintergrundbeleuchtung (optional)	Mit dieser Einstellung wird die Hintergrundbeleuchtung geregelt. Die Option Hintergrundbeleuchtung ist nicht sichtbar, wenn der Energiesparmodus EIN ist. Die Hintergrundbeleuchtung kann nicht aktiviert werden, wenn der VGA- oder Medienbrowser-Modus aktiv ist oder der Bildmodus auf Spiel eingestellt ist.
Rauschunterdrückung	Wenn das Übertragungssignal schwach oder verrauscht ist, können Sie mit der Option Rauschreduktion das Bildrauschen verringern.
Erweiterte Einstellungen	
Dynamik Kontrast	Sie können die Kontraststärke verändern, indem Sie die Funktion Dynamischer Kontrast verwenden.
Farbtemperatur	Stellt den gewünschten Farbtemperatur ein.
Bildzoom	Mit dieser Funktion können Sie den Bildzoom einstellen. Hinweis: Auto (nur im Scart-Modus mit SCART PIN8 Hochspannungs- / Niederspannungsschaltung verfügbar)
Filmmodus	Filme werden mit einer anderen Zahl von Einzelbildern pro Sekunde aufgenommen als normale Fernsehprogramme. Schalten Sie diese Funktion ein, wenn Sie sich Filme ansehen, um die Szenen mit schnellen Bewegungen besser sehen zu können.
Oberflächenfarbe	Die Balance kann zwischen -5 und 5 eingestellt werden.
Farbverfälschung	Hiermit können Sie die Farbverschiebung zu Grün oder Rot korrigieren.
RGB-Gain	Hiermit können Sie die Farbe kalibrieren.
Zurücksetzen	Setzt die Bildeinstellungen auf die Werksteinstellungen zurück.
Autoposition (im PC Modus)	Optimiert die Anzeige automatisch. Drücken Sie OK, um die Optimierung durchzuführen.
H-Position (im PC Modus)	Mit dieser Option können Sie das Bild auf die rechte oder linke Seite des Bildschirms verschieben.
V-Position (im PC Modus)	Mit dieser Option können Sie das Bild zum oberen oder unteren Rand des Bildschirms verschieben.
Pixelfrequenz (im PC Modus)	Die Einstellung Pixelfrequenz korrigiert Störungen, die als vertikale Streifen bei pixelintensiven Darstellungen wie Tabellen oder Absätzen in kleinen Schriftarten auftreten.
Phase (im PC Modus)	Abhängig von der Auflösung und Abtastfrequenz, die Sie in das TV-Gerät einspeisen, kann es zu einem schmutzigen oder gestörten Bild auf dem Bildschirm kommen. In diesem Fall können Sie mit dieser Option durch mehrmalige Versuche ein klareres Bild erhalten.
<i>Im VGA- oder PC-Modus sind einige Optionen des Bildmenüs nicht verfügbar. Stattdessen werden die VGA-Modus-Einstellungen im PC-Modus zu den Bildeinstellungen hinzugefügt.</i>	

Inhalt Tonmenü	
Volumen	Stellt die Lautstärke ein.
Equalizer	Wählt den Equalizer-Modus. Benutzerdefinierte Einstellungen können nur im Benutzer-Modus vorgenommen werden.
Balance	Mit dieser Einstellung wird die Balance zwischen rechtem und linkem Lautsprecher eingestellt.
Kopfhörer	Stellt die Lautstärke für den Kopfhörer ein.
Audiomodus	Audiomodus auswählen. (Wenn der gewählte Kanal es unterstützt).
AVL (Automatische Lautstärkebegrenzung)	Diese Funktion stellt den Ton so ein, dass zwischen den Programmen ein konstanter Ausgangspegel erhalten bleibt.
Digitaler Ausgang	Stellt den Audiotyp für den Digitalausgang ein.
Inhalt des Einstellungsmenüs	
Conditional Access	Hier nehmen Sie Einstellungen für die CA-Module, sofern vorhanden, vor.
Sprache	Legt die Spracheinstellungen fest.
Elternkontrolle	Um die elterliche Einstellungen zu ändern korrektes Passwort eingeben. Sie können in diesem Menü die Menüsperre, elterliche Sperre (kann sich je nach dem ausgewählten Land ändern) und Kindersicherung einfach einstellen. Sie können auch neue PIN-Nummer einstellen.
Timer	Stellt den Schlaftimer ein, um das TV-Gerät nach einer gewissen Zeit auszuschalten. Legt die Timer für gewählte Programme fest.
Aufnahmeeinstellungen	Zeigt das Aufnahme Konfigurationsmenü (USB-Anschluss erforderlich)
Datum/Zeit	Stellt Datum und Zeit ein.
Quellen	Aktiviert oder deaktiviert die gewünschten Quellen.
Weitere Einstellungen: Zeigt weitere Einstellungsoptionen für das TV-Gerät an:	
Menü Timeout	Verändert die Timeout-Zeit zwischen den Menübildschirmen.
Verschlüsselte Kanäle suchen	Wenn diese Einstellung gesetzt ist, werden beim Suchvorgang auch die verschlüsselten Kanäle gesucht.
Blauer Hintergrund	Aktiviert oder deaktiviert den blauen Hintergrund bei schwachem oder fehlendem Signal.
Softwareaktualisierung	Diese Funktion stellt sicher, dass Ihr TV-Gerät immer auf dem neuesten Stand ist.
Software-Version	Zeigt die aktuelle Softwareversion an.
Hörgeschädigte	Aktiviert eine spezielle Funktion, die vom Sender gesendet wird.
Audio-Beschreibung	Bei der Audiobeschreibung handelt es sich um eine zusätzliche Audiospur für blinde und sehbehinderte Konsumenten von visuellen Medien wie Filmen und Fernsehen. Sie können diese Funktion nur verwenden, wenn der Sender die zusätzliche Audiospur unterstützt. <i>Hinweis: Die Audiobeschreibung Ton-Funktion ist im Aufnahme-oder Time-Shifting-Modus nicht verfügbar.</i>
TV-Autoabschaltung	Hiermit können Sie die Zeit festlegen nach welcher sich das Gerät automatisch abschaltet sollte der Fernseher nicht genutzt werden. Sie können diese Option auch deaktivieren.

TV Menü Funktionen

Standby-Suche (optional)	Ist die Standbysuche auf Ein eingestellt, werden verfügbare Sender gesucht, wenn das TV-Gerät auf Standbymodus geschaltet ist. Wenn das Gerät neue oder noch nicht vorhandene Sender findet, wird ein Menü eingeblendet, in dem Sie die Änderungen annehmen oder verwerfen können. Die Kanalliste wird aktualisiert und nach diesem Prozess verändert.
Shop-Modus	Wenn Sie den Fernseher in einem Geschäft ausstellen, können Sie diesen Modus aktivieren. -Speichern.Während der Geschäftsmodus aktiviert ist, sind einige Optionen nicht verfügbar.
Power Up-Modus	Diese Einstellung konfiguriert die Power -up-Modus Präferenz.
Inhalt des Installations- und Sendersuchlauf-Menüs	
Automatische Kanalsuche	Zeigt die Optionen für die automatische Kanalsuche an. Digital Antenne: Sucht und speichert DVB-T Sender. Digitalkabel: Sucht und speichert DVB-C Sender. Analog: Sucht und speichert analoge Sender. Digital Antenne & Analog: Sucht und speichert analoge und digitale Antennen Sender. Digital Kabel & Analog: Sucht und speichert analoge und digitale Kabelsender.
Manuelle Kanalsuche	Diese Funktion wird zur direkten Eingabe von Sendern verwendet.
Netzwerk Kanalsuche	Sucht nach den verknüpften Kanälen des Rundfunksystems.
Analoge Feineinstellung	Verwenden Sie diese Einstellung für die Feineinstellung von analogen Kanälen aus. Diese Funktion ist nicht verfügbar, wenn keine analogen Kanäle gespeichert sind.
Erste Installation	Löscht alle gespeicherten Kanäle und Einstellungen, setzt das TV-Gerät auf die Werkseinstellungen zurück und beginnt die Erstinstallation.

Allgemeine Bedienung

Verwendung der Senderliste

Das Gerät sortiert alle gespeicherte Sender in eine Senderliste. Mit den Kanallistenoptionen können Sie die Liste verändern, Liebblingssender hervorheben oder aktive Stationen hinzufügen.

Jugendschutzeinstellungen

Um das Ansehen bestimmter Programme zu verhindern, können Kanäle und Menüs mit der Jugendschutzoption gesperrt werden.

Um die Jugendschutz-Menüoptionen anzuzeigen, muss die PIN-Zahl eingegeben. Die werksseitig eingestellte PIN ist **0000**. Nach Eingabe der korrekten PIN wird das Menü Jugendschutzeinstellungen angezeigt.

Menüsperre: Die Einstellung Menüsperre aktiviert oder deaktiviert den Menüzugriff.

Altersbeschränkung: Ist diese Option eingestellt, bezieht sie vom Sender Altersinformationen. Ist die entsprechende Altersstufe im Gerät deaktiviert, wird der Zugriff auf die Sendung gesperrt.

Kindersicherung: Wenn Kindersicherung aktiviert wird, kann das TV-Gerät nur über die Fernbedienung gesteuert werden. In diesem Fall sind die Steuertasten am Bedienfeld außer Funktion gesetzt.

PIN einstellen: Legt eine neue PIN-Zahl fest.

Der Standard-PIN-Code kann sich je nach dem ausgewählten Land ändern.

Wenn Sie aufgefordert werden, einen PIN-Code für die Anzeige einer Menü-Option einzugeben, verwenden Sie eine der folgenden Codes: **0000** oder **1234**.

EPG (Elektronischer Programmführer)

Einige, aber nicht alle Kanäle senden Informationen über die laufenden sowie nachfolgenden Sendungen. Drücken Sie die Taste **EPG** um das Menü **EPG** aufzurufen.

Taste Rot (Vorherg. Tag): Zeigt die Programme des vorigen Tages an.

Taste Grün (Nächster Tag): Zeigt die Programme des nächsten Tages an.

Taste Gelb (Zoom): Erweitert die Programminformation.

Taste Blau (Filter): Zeigt die Filteroptionen an.

SUBTITLE: Drücken Sie die **SUBTITLE** Taste, um das Menü Genre Auswählen anzuzeigen. Mit dieser Funktion können Sie die EPG-Datenbank nach einem bestimmten Genre durchsuchen. Die im EPG verfügbaren Informationen werden durchsucht und die Ergebnisse, die zu Ihren Suchkriterien passen, angezeigt.


İ (INFO): Zeigt im Detail Informationen zum ausgewählten Programm.

Zifferntasten (Springen): Mit den Zifferntasten können Sie direkt zu den entsprechenden Kanälen springen.

OK: Zeigt die Filteroptionen an.

 **(SUCHE):** Zeigt das Menü **“EPG-Suche”** an.

 **(Jetzt) :** Zeigt das aktuelle Programm an.

 **(AUFNAHME):** das Gerät zeichnet das ausgewählte Programm auf. Drücken Sie die Taste nochmals, um die Aufnahme abzubrechen.

P<P: INFO (Sendungsdetails):

Programmoptionen

Drücken Sie im Menü **EPG** die Taste **OK**, um das Menü **Ereignisoptionen** auszuwählen.

Kanal auswählen

Mit dieser Option können Sie im **EPG**-Menü zum gewählten Kanal umschalten.

Aufnahmetimer einstellen / löschen

Drücken Sie die Taste **OK**, nachdem Sie ein Programm im EPG-Menü ausgewählt haben. Der Bildschirm **Optionen** wird dann angezeigt. Wählen Sie die Option **„Aufnahme“** und drücken Sie die Taste **OK**. Für das ausgewählte Programm ist nun eine Aufnahme programmiert.

Um eine programmierte Aufnahme zu löschen, markieren Sie das Programm und drücken Sie die Taste **OK**. Wählen Sie die Option **„Aufn.Timer löschen. Zeitschalter“**. Die Aufnahme wird gelöscht.

Timer einstellen / löschen

Drücken Sie die Taste **OK**, nachdem Sie ein Programm im EPG-Menü ausgewählt haben. Der Bildschirm **Optionen** wird dann angezeigt. Wählen Sie die Option **„Timer für Ereignis einstellen“** und drücken Sie die Taste **OK**. Sie können einen Timer für zukünftige Programme einstellen. Um eine bereits eingestellte Timer abzubrechen, markieren Sie das Programm und drücken Sie die Taste **OK**. Wählen

Sie dann die Option **„Timer löschen“**. Der Timer wird gelöscht.

***Hinweis:** Somit sollten diese nicht gleichzeitig verwendet werden.*

Softwareaktualisierung

Ihr TV-Gerät kann neue Software-Updates über das Internet oder über TV-Übertragungskanäle finden und installieren .

Softwareupgrade-Suche über Benutzerschnittstelle

• Navigieren Sie dazu im Hauptmenü. Wählen Sie **Einstellungen** und dann **Weitere Einstellungen**. Wählen Sie im Menü **Weitere Einstellungen** die Option **Softwareupgrade** und drücken Sie die Taste **OK**, um das Menü Upgradeoptionen zu wählen.

Hintergrundsuche und Aktualisierungsmodus

Wenn die Option Automatische Suche im Menü Upgradeoptionen aktiviert ist, schaltet sich das Gerät um 3:00 früh ein und sucht auf den Übertragungskanälen nach neuen Softwareupdates. Wird eine neue Software gefunden und erfolgreich heruntergeladen, arbeitet das TV-Gerät ab dem nächsten Einschaltvorgang mit der neuen Softwareversion.

***Hinweis:** Wenn das TV-Gerät nach 2 Minuten noch immer nicht gestartet hat, ziehen Sie den Netzstecker, warten Sie stecken Sie ihn wieder ein.*

Fehlerbehebung & Tipps

Das TV-Gerät schaltet sich nicht ein

Vergewissern Sie sich, dass das Netzkabel in die Steckdose eingesteckt ist und die Batterien der Fernbedienung noch funktionieren. Drücken Sie das Einschalttrud am Fernsehgerät sollte der Fernseher nicht auf die Fernbedienung reagieren.

Schlechte Bildqualität

- Haben Sie die richtige Farbnorm ausgewählt?
- Niedriger Signalpegel kann Bildverzerrungen verursachen.
- Überprüfen Sie ob die richtige Frequenz eingegeben ist.
- Die Bildqualität kann sich verschlechtern, wenn zwei Zusatzgeräte gleichzeitig an das TV-Gerät angeschlossen werden. Trennen Sie in diesem Fall eines der Zusatzgeräte wieder ab.

Kein Bild

- Kein Bild bedeutet, dass Ihr TV-Gerät kein Signal empfängt. Haben Sie die richtigen Tasten auf der Fernbedienung betätigt? Versuchen Sie es noch einmal. Stellen Sie auch sicher, dass die richtige Eingangsquelle ausgewählt ist.
- Ist die Antenne richtig angeschlossen?

- Ist das Antennenkabel beschädigt?
- Wurden geeignete Stecker verwendet, um die Antenne anzuschließen?
- Wenn Sie nicht sicher sind, fragen Sie Ihren Händler.

Kein Ton

- Wurde das TV-Gerät stummgeschaltet? Um den Ton wieder einzuschalten, drücken Sie die Taste "M", oder erhöhen Sie die Lautstärke.
- Nur ein Lautsprecher funktioniert. Ist die Balance auf nur eine Seite gestellt? (Siehe Menü "Ton")

Fernbedienung spricht nicht an

- Möglicherweise sind die Batterien leer. Ersetzen Sie diese.

Eingangsquellen - können nicht ausgewählt werden

- Wenn Sie keine Eingabequelle wählen können, haben Sie wahrscheinlich kein Gerät angeschlossen.
- Wenn Sie ein Gerät angeschlossen haben, überprüfen Sie die AV-Kabel und deren Anschluss.

Aufnahme nicht verfügbar.

Um ein Programm aufzunehmen, sollten Sie zuerst eine USB-Festplatte an Ihr TV-Gerät anschließen, während das TV-Gerät ausgeschaltet ist. Sie sollten dann das TV-Gerät einschalten, um die Aufnahme-Funktion zu aktivieren. Wenn Sie nicht aufzeichnen können, versuchen Sie es, indem Sie das TV-Gerät ausschalten und dann das USB-Gerät wieder einstecken.

USB ist zu langsam

Wird die Meldung „USB ist zu langsam“ auf dem Bildschirm angezeigt, wenn Sie eine Aufnahme starten, versuchen Sie, die Aufnahme nochmals zu starten. Wenn Sie dieselbe Fehlermeldung erhalten, kann es sein, dass Ihre USB-Festplatte die Geschwindigkeitsanforderungen nicht erfüllt. Versuchen Sie, eine andere USB-Festplatte anzuschließen.

Typische Anzeigemodi PC-Eingang

In der folgenden Tabelle werden einige der üblichen Video Display-Modi dargestellt. Unter Umständen unterstützt Ihr TV keine verschiedenen Auflösungen. Ihr Gerät unterstützt bis zu 1920x1080.

Inhaltsverzeichnis	Auflösung	Frequenz
1	1024x768	60 Hz
2	1280x768	60 Hz
3	1360x768	60 Hz
4	800x600	56 Hz
5	800x600	60 Hz
6	1024x768	66 Hz
7	1280x1024	60 Hz
8	1280x960	60 Hz
9	1400x1050	60 Hz
10	1600x1200	60 Hz
11	1920x1080	60 Hz

AV- und HDMI-Signalkompatibilität

Quelle	Unterstützte Signale		Verfügbar
EXT (SCART)	PAL 50/60		O
	NTSC 60		O
	RGB 50		O
	RGB 60		O
Seiten- AV	PAL 50/60		O
	NTSC 60		O
PC, YPBPR)	480i-480p	60Hz	O
	576i-576p	50Hz	O
	720P	50Hz,60Hz	O
	1080I	50Hz,60Hz	O
	1080P	50Hz,60Hz	O
HDMI1	480I	60Hz	O
	480P	60Hz	O
	576i-576p	50Hz	O
	720P	50Hz,60Hz	O
	1080I	50Hz,60Hz	O
	1080P	24Hz, 25Hz 30Hz, 50Hz, 60Hz	O

(X: Nicht verfügbar, O: Vorhanden)

Unter Umständen kann das Eingangssignal nicht korrekt auf dem Bildschirm angezeigt werden. Das Problem kann durch eine Inkompatibilität in den Standards des Quellgeräts verursacht werden (DVD, Settop-Box etc.). Wenn solche Probleme auftreten, wenden Sie sich bitte an Ihren Händler und/oder den Hersteller des Geräts.

Beim USB Modus unterstützte Dateiformate

Medium	Datei- erweiterung	Format		Hinweise
		Video	Audio	(Max. Auflösung / Bitrate etc.)
Film	.mpg, .mpeg	MPEG1, 2		MPEG1 MPEG1, 2 1920x1080
	.vob	MPEG2		1920x1080
	.mp4	MPEG4, H.264		
	.mkv	H.264, MPEG1,2,4		
	avi	MPEG4, H.264		1920x1080 Kanal: 352x288 @30P
	flv	H.264/VP6/Sorenson		
	3gp	MPEG4, H.264		1920x1080
	wmv,asf	VC-1		1920x1080
Musik	.mp3	-	MPEG 1 Layer 1 / 2 (MP3)	32Kbps ~ 320Kbps(Bitrate)32K, 44.1k, 48k Hz,16K, 22.05K, 24K Hz,8K, 11.025K, 12K Hz(Abtastrate)
Foto	.jpg .jpeg	Baseline JPEG	-	max. B x H = 15360 x 8640 4147200 Bytes
	.	Progressive JPEG	-	max. B x H = 9600 x 6400 3840000 Bytes
	.bmp	-	-	max. B x H = 9600 x 6400 3840000 Bytes
Untertitel	.sub .srt	-	-	-

DVD-MODUS

Sicherheitsinformationen

VORSICHT

Dieser DVD-Player ist ein Laserprodukt der Klasse 1. Dieses Produkt verwendet einen sichtbaren Laserstrahl. Dieser kann bei direkter Bestrahlung der Augen zu Schäden führen. Bedienen Sie den Player nur so, wie in der Bedienungsanleitung angegeben.

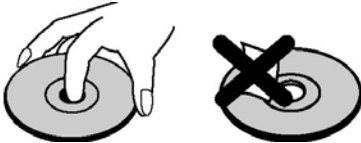
LASERPRODUKT der KLASSE 1

GEFAHR ELEKTRISCHER SCHLÄGE!

Hinweise zu Discs

Behandlung von Discs

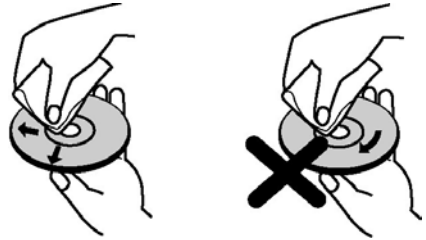
- Berühren Sie die Disc nur an den Kanten, damit sie sauber bleibt. Berühren Sie niemals die Oberfläche.
- Kleben Sie weder Papier noch Klebefilm auf die Disc.
- Sollte die CD irgendwie verschmutzt sein, wie zum Beispiel mit Kleber, entfernen Sie ihn, bevor Sie die CD abspielen



- Setzen Sie die Discs keinem direkten Sonnenlicht oder Hitzequellen (z.B. Heißluft) aus. Lassen Sie die Discs nicht in einem Auto, das in der Sonne geparkt wird; dort kann die Temperatur schnell ansteigen und die Discs beschädigen.
- Legen Sie die Disc nach dem Abspielen wieder in die Hülle zurück.

Reinigung

- Reinigen Sie die Disc vor dem Abspielen mit einem Reinigungstuch. Wischen Sie die Disc von der Mitte nach außen ab.



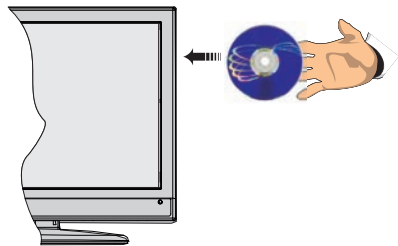
- Verwenden Sie weder Lösungsmittel (z.B. Benzin, Verdüner) noch kommerzielle Reinigungsmittel oder Antistatic-Sprays für Vinyl-LPs.

Lizenzinformationen

- Dieses Produkt enthält Kopierschutztechnologie, die durch US-Patente und andere geistige Eigentumsrechte geschützt ist. Die Kopierschutztechnologie darf nur mit Genehmigung der Rovi Corporation verwendet werden, sie darf ohne spezielle Genehmigung der Rovi Corporation nur im Heimbereich und im nicht öffentlichen Bereich verwendet werden. Nachbau oder Demontage ist ausdrücklich verboten.

Wie Schauen Sie eine DVD an

Beim Einlegen der Disc in die DiscLade muss die bedruckte Seite der Disc nach vorne weisen.



Wenn das TV-Gerät eingeschaltet ist, wählen Sie zuerst über die SOURCE Taste auf der Fernbedienung "DVD" als Quelle. Drücken Sie dann die "Play" Taste oder die Wiedergabe Taste am Gerät um die DVD Wiedergabe zu starten. Wenn sich keine Disc in der Lade befindet, legen Sie zuerst eine DVD ein und drücken Sie Wiedergabe.

Hinweis: Wenn Sie durch Drücken der **SOURCE**, **⊙** or **P+/P-** Tasten auf der Fernbedienung auf eine andere Quelle umschalten möchten, wird die DVD-Wiedergabe automatisch pausiert. Sie sollten die Taste **WIEDERGABE** drücken und die Wiedergabe manuell fortsetzen, wenn Sie in den DVD-Modus umschalten.

Tasten am Bedienfeld für DVD

A. Disclade

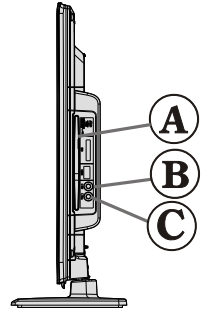
B. Wiedergabe / Pause

Wiedergabe/Pause der Disc. Wenn das DVD-Menü aktiv ist (Wurzelmenü), funktioniert diese Taste als "Auswahl taste" (wählt die markierte Option des Menüs aus), sofern die Disc dies zulässt.

C. Stop / Auswerfen

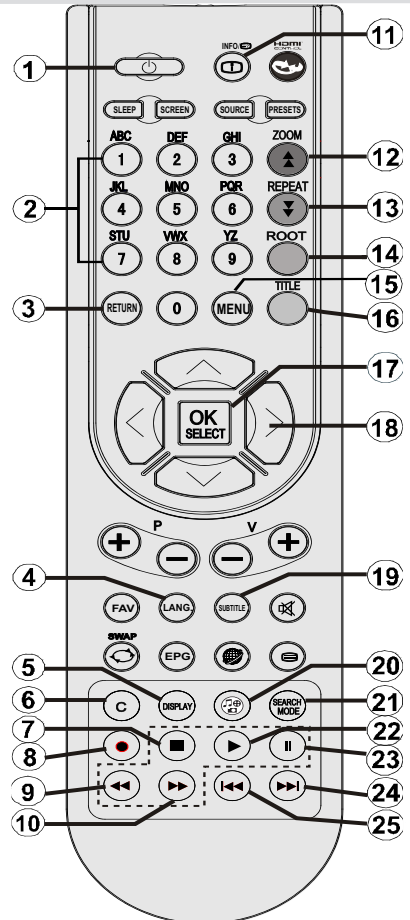
Anhalten der Discwiedergabe / Disc auswerfen oder laden. Hinweis:

- Sie können eine Disc nicht über die Fernbedienung auswerfen.
- Während der Wiedergabe einer Datei müssen Sie dreimal die STOP-Taste drücken, um die Disc auszuwerfen.



Übersicht über die Fernbedienung

- Standby
- Zifferntasten
- Zurückkehren/Zurück
- Sprachauswahl
- Zeit anzeigen / DVD-Menü
- Löschen
- Stop
- Keine Funktion
- Schneller Rücklauf
- Schneller Vorlauf
- Info
- Zoom
- Wiederholen
- Stammverzeichnis
- Menü
- Titel
- OK / Auswählen
- Navigationstasten
- Untertitel
- Anzeigewinkel
- Wiederholfunktionen
- Wiedergabe
- Pause
- Vorwärts springen
- Zurück springen



Hinweis: Tasten, die nicht mit einer Zahl angegeben sind, sind im DVD-Modus nicht funktionsfähig.

DVD-Steuerungen

Sie können DVD-, Film-CD-, Musik- oder Picture-Disks mit den geeigneten Tasten der Fernbedienung steuern. Im Folgenden finden Sie die Hauptfunktionen der am häufigsten benutzten Fernbedienungstasten erklärt.

Tasten	Wiedergabe von DVDs	Film-Wiedergabe	Bildwiedergabe	Musikwiedergabe
▶	Wiedergabe	Wiedergabe	Wiedergabe	Wiedergabe
	Pause	Pause	Pause	Pause
■	Stop	Stop	Stop	Stop
◀◀ / ▶▶	Nach vor / zurück springen	Nach vor / zurück springen	Vorherige/Nächste	Vorherige/Nächste
◀ / ▶	Verschiebt den vergrößerten Bildausschnitt nach links oder rechts (sofern verfügbar)			
/	Markiert einen Menüartikel / Verschiebt den vergrößerten Bildausschnitt nach links oben oder unten (sofern verfügbar).			
◀◀ / ▶▶	Schneller Vorlauf / Schneller Rücklauf			
ANGLE	Zum Betrachten einer Szene aus verschiedenen Blickwinkeln (sofern verfügbar)		Verändert den Übergangseffekt (abhängig vom Inhalt)	X
C	Löschen einer eingegebenen Ziffer (sofern verfügbar)			
ANZEIGE	Zeigt die Zeit an / Zeigt das Haupt-Setup-Menü an			
INFO	Modusauswahl für die Zeitzählung (bei der Wiedergabe). Wiederholt drücken, um zwischen den Modi umzuschalten.			
LANG.	Automatische Sprache		X	X
MENÜ	Zeigt das TV-Menü.			
OK / SELECT	Eingeben / Ansehen / Wiedergeben			
REPEAT	Anzeigen der Wiederholoptionen.			
RETURN	Keht zum vorhergehenden Menü zurück (sofern verfügbar).			
ROOT	Keht zum Stammverzeichnis zurück (sofern verfügbar).			
SUCHMODUS *	Direktwahl von Szenen oder Zeitpunkten.		Auswahl der gewünschten Datei.	Auswahl der gewünschten Datei.
UNTERTITEL	Untertitel Ein-Aus. Wiederholt drücken, um zwischen den Modi umzuschalten.		X	X
TITLE	Anzeige des Disc-Menüs (sofern verfügbar).	Anzeige des Disc-Menüs (sofern verfügbar).	X	X
MENÜ	Vergrößert oder verkleinert das Bild. Wiederholt drücken, um zwischen den Zoomoptionen umzuschalten.			

Weitere Funktionen - Tastenkombinationen (während der Wiedergabe)

+ ▶▶	Langsamer Vorlauf
(+ ▶▶) + ◀◀▶▶	Stellt die Geschwindigkeit für den langsamen Vorlauf ein
▶▶ + ▶▶	Stellt die Geschwindigkeit für den schnellen Vorlauf ein
◀◀ + ◀◀	Stellt die Geschwindigkeit für den schnellen Rücklauf ein
■ + ■	Bestätigt den Stop-Befehl
+ ▶▶	Drücken Sie mehrmals, um den manuellen Vorlauf auszuführen

(*) Sie können durch Drücken der Zifferntasten direkt zum entsprechenden Titel wechseln. Um auf einstellige Titelnummern zu wechseln, müssen Sie zuerst die 0 und dann die entsprechende Ziffer drücken (*Beispiel:* Um 5 zu wählen, drücken Sie 0 und 5.)

Allgemeine Wiedergabe

Normale Wiedergabe

1. Schalten Sie das TV-Gerät ein
2. Legen Sie eine Disc in die Disc-Lade ein.
Die Disc-Lade zieht die Disc automatisch ein. Wenn die Disc kein Menü enthält, beginnt die Wiedergabe sofort.


Nach einigen Sekunden kann ein Menü auf dem TV-Bildschirm erscheinen, oder der Film beginnt unmittelbar.

Hinweis: Schritte 3 und 4 sind nur relevant, wenn die Disc ein Menü enthält.

3. Drücken Sie "▼" / "▲" / ◀ / ▶ oder die Zifferntaste(n), um den gewünschten Titel auszuwählen.
4. Drücken Sie OK.

Die Wiedergabe der ausgewählten Optionen beginnt. Das Wiedergegebene kann je nach Disc ein Film, ein Standbild oder ein anderes Untermenü sein.

Zu Ihrer Information:

Wenn die Ausführung einer Tasten-Funktion verboten ist, erscheint das  Symbol.


Hinweise zur Wiedergabe:

1. Während des schnellen Vor- oder Rücklaufs erfolgt keine Tonwiedergabe.
2. Während der Zeitlupenwiedergabe ist kein Ton zu hören.
3. Die Zeitlupenwiedergabe rückwärts ist nicht möglich.
4. In einigen Fällen ist kein direkter Wechsel zur gewünschten Untertitelsprache möglich.
5. Wenn auch nach mehrmaligem Drücken der Taste die bevorzugte Sprache nicht ausgewählt wird, ist diese auf der CD nicht verfügbar.
6. Beim erneuten Einschalten des Players bzw. beim erneuten Einlegen einer CD wird die Auswahl der Untertitelsprache automatisch wieder auf die Ausgangseinstellung zurückgesetzt.
7. Wird eine Sprache ausgewählt, die auf der CD nicht verfügbar ist, wird als Untertitelsprache automatisch die für die CD vorgegebene Standardsprache verwendet.
8. Die Untertitelsprachen wechseln in einer festgelegten Reihenfolge. Deshalb können Sie die Anzeige der Untertitel nur abbrechen, indem Sie die UNTERTITEL-Taste mehrfach drücken, bis Untertitel aus ("Untertitel Aus") auf dem Bildschirm erscheint.
9. Beim erneuten Einschalten des Players bzw. beim erneuten Einlegen einer CD wird die Auswahl der Wiedergabesprache automatisch wieder auf die Ausgangseinstellung

zurückgesetzt. Wenn die gewünschte Sprache auf der Disc nicht aufgezeichnet ist, erfolgt die Wiedergabe in der verfügbaren Sprache.

10. Einige DVDs enthalten keine Haupt- und/oder Titelmenus.
11. Die Einzelbildweitschaltung im Rücklauf ist nicht möglich.

12. Nützliche Hinweise:

- Wenn Sie eine Zahl eingeben, die größer als die Gesamtlaufzeit des aktuellen Titels ist, wird das Zeitsuchfeld ausgeblendet, und in der oberen linken Ecke des Bildschirms erscheint die Meldung  "Eingabe ungültig" (Input invalid).

13. Die Diaschau ist im ZOOM-Modus deaktiviert.

DVD-Fehlerbehebung

Die Bildqualität ist schlecht (DVD)

- Vergewissern Sie sich, dass die Oberfläche der DVD nicht beschädigt ist. (Kratzer, Fingerabdrücke, etc.)
- Reinigen Sie die DVD und versuchen Sie es erneut.
Siehe die Anweisungen im Abschnitt "Hinweise zu Discs" zur richtigen Reinigung Ihrer Discs.
- Stellen Sie sicher, dass die DVD mit der bedruckten Seite nach oben in die Lade eingelegt ist.
- Feuchtigkeit oder Kondensation auf der Disc können das Gerät negativ beeinflussen. Warten Sie ein bis zwei Stunden im Standby-Modus, bis das Gerät trocken ist.

Die Disc wird nicht wiedergegeben

- Es liegt keine Disc im Gerät. *Legen Sie eine Disc in die Lade ein.*
- Die Disc wird nicht richtig geladen.
Stellen Sie sicher, dass die DVD mit der bedruckten Seite nach oben in die Lade eingelegt ist.
- Falscher Discstyp. Das Gerät kann keine CD-ROMs etc. wiedergeben.
- Der Regionalschlüssel der DVD muss mit dem Regionalschlüssel des Geräts übereinstimmen.

Falsche OSD-Sprache

- Wählen Sie die Sprache im Menü Setup aus.
- Die Audio- oder Untertitelsprache der DVD lassen sich nicht ändern.
- Auf der DVD sind keine mehrsprachigen Audios bzw. Untertitel aufgezeichnet.
- Versuchen Sie, die Audiospur bzw. die Untertitel im Titelménü der Disc zu ändern. Manche DVDs erlauben dem Anwender nicht, die Einstellungen ohne Verwendung des Disc-Ménüs zu ändern.
- Diese Funktionen sind auf der DVD nicht vorhanden.

Kein Bild

- Haben Sie die richtigen Tasten auf der Fernbedienung betätigt? Versuchen Sie es noch einmal.

Kein Ton

- Überprüfen Sie, ob die Lautstärke auf ein hörbares Niveau eingestellt ist.

- Vergewissern Sie sich, dass Sie den Ton nicht aus Versehen ausgeschaltet haben.

Verzerrter Ton

- Überprüfen Sie, ob die richtige Toneinstellung gewählt wurde.

Wenn nichts geholfen hat

Wenn Sie mit keinem der oben angeführten Hinweise das Problem lösen konnten, sollten Sie das TV-DVD-Kombigerät abschalten und wieder einschalten. Hilft auch das nicht weiter, wenden Sie sich bitte an Ihren Händler oder an eine auf TV-DVD-Geräte spezialisierte Reparaturwerkstatt. Versuchen Sie niemals, ein defektes TV-DVD-Gerät selbst zu reparieren.

Lizenzinformationen

Hergestellt unter Lizenz der Dolby Laboratories.

INHABER DER MARKENZEICHEN





„Dolby“ und das Doppel-D-Symbol sind Warenzeichen der Dolby Laboratories.



„HDMI, das HDMI-Logo und High-Definition Multimedia Interface sind Markenzeichen oder eingetragene Markenzeichen der HDMI Licensing LLC.“



Mit diesem Gerät kompatible Disc-Typen:

Disc-Typen (Logos)	Aufnahme-Arten	Disc-Größe	Maximale Wiedergabezeit	Eigenschaften
	Audio + Video	12 cm	Single-seitig; 240 min. Double-seitig; 480 min	<ul style="list-style-type: none"> • Dank des Dolby Digital und MPEG-2-Systems verfügt eine DVD über ausgezeichnete Ton- und Bildqualität. Die verschiedenen Bildschirm- und Audio-Funktionen können problemlos über das Bildschirmmenü gewählt werden.
	Audio	12 cm	74 min.	<ul style="list-style-type: none"> • Die Compact Disc oder auch CD ist der Nachfolger der Schallplatte. Im Gegensatz zur Schallplatte werden Musikstücke digital auf einer CD gespeichert.
	Audio (xxxx.mp3)	12 cm	It depends on MP3 quality.	<ul style="list-style-type: none"> • MP3 ist ein Audiokomprimierungsverfahren das dazu genutzt wird Musikdaten auf einem Computer zu speichern.
	Bild (still picture)	12 cm	It depends on JPEG quality.	<ul style="list-style-type: none"> • JPEG ist ein digitaler Bildkomprimierungsstandard.

Für einen ordnungsgemäßen Betrieb müssen nur 12 cm CDs verwendet werden.

Technische Daten

Unterstützte Disc Typen	DVD: SS/SL 4.7" (DVD-5) SS/DL 4.7" (DVD-9) DS/SL 4.7" (DVD-10) DS/DL 4.7" (DVD-18)	CD-DA CD-R CD-RW MP-3/JPEG
Video Standards	MPEG-2 Video Standard Decoding (unterstützt MPEG -1) Vollbildschirm-Videoanzeige mit 720 x 576 (PAL) bzw. 720 x 480 (NTSC) Pixel Bildwiederholraten von 50 und 60 Hz (PAL und NTSC) Digitale Bitstream-Verarbeitung mit bis zu 108 Mbits/Sek. Zeilenauflösung mehr als 500 Zeilen	
Audiotyp	MPEG Multichannel-Decodierung LPCM	
Audioausgabe	Analoge Ausgänge: 24 Bit /48, 44.1kHz Downsampling DAC	



Küppersbusch

Küppersbusch Hausgeräte GmbH

Postfach 10 01 32, D-45801 Gelsenkirchen,
Küppersbuschstraße 16, D-45883 Gelsenkirchen
Telefon: (0209) 401-0, Telefax: (0209) 401-303
www.kueppersbusch.de

Teka Austria GmbH

Eitnergasse 13, A-1230 Wien
Telefon: (01) 86680-15, Telefax: (01) 86680-50
www.kueppersbusch.at

