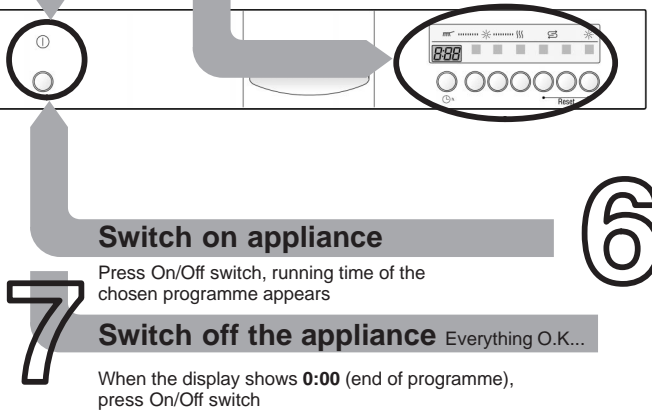
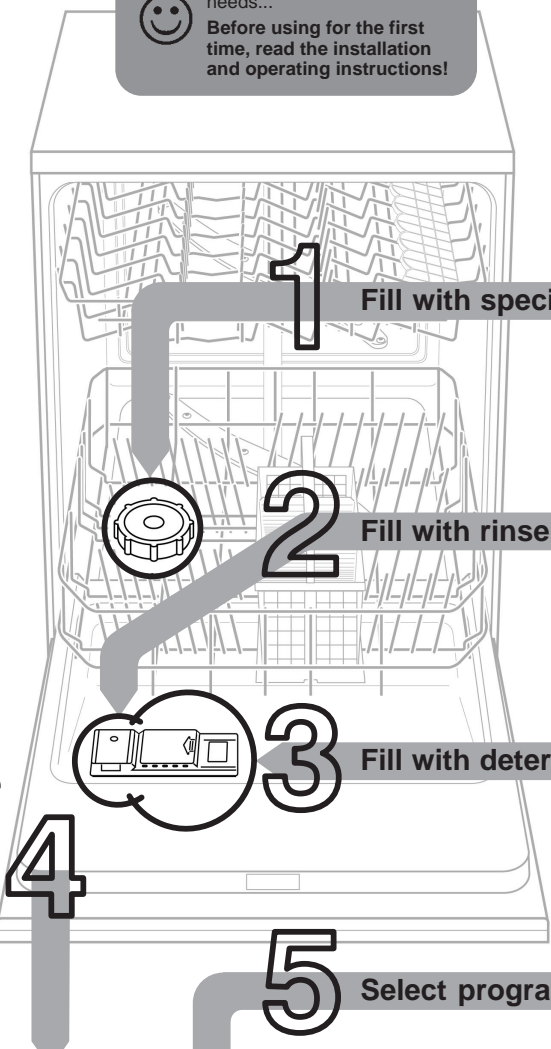


Brief and handy: everything your dishwasher needs...
Before using for the first time, read the installation and operating instructions!



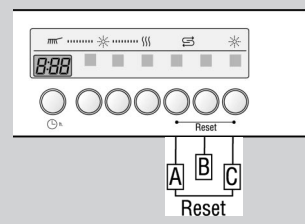
Adjusting the water softening system *

Request the water hardness value in your area from your water supply company and enter it here ...

* only before first use of the appliance or if the water hardness changes

Read off the correct setting for your water hardness

Wasser-Härtewert °dH	Härte-stufe	mmol/l	Einstellwert an der Maschine
0 - 6	I	0 - 1,1	H:00
7 - 8	I	1,2-1,4	H:01
9 - 10	II	1,5-1,8	H:02
11-12	II	1,9-2,1	H:03
13-16	III	2,2-2,9	H:04
17-21	III	3,0-3,7	H:05
22-30	IV	3,8-5,4	H:06
31-50	IV	5,5-8,9	H:07

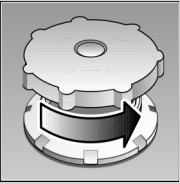


Quickly sorted

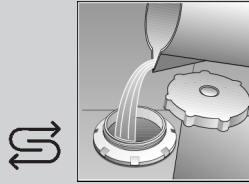
- How to adjust the water softening system**
- Hold down programme button **B** and press main switch until the digital display illuminates, then release the buttons. The LED for button **B** flashes and the digital display displays the factory setting **H:04**.
 - Each time button **B** is pressed, the setting increases by 1; after **H:07**, the setting goes back to **H:00**.
 - Switch off the main switch. The chosen setting has now been stored.

1 Fill with special salt

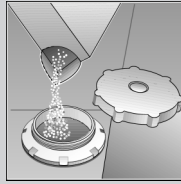
Dissolves limescale (not required for set value 0!)



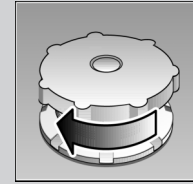
Unscrew the lid.



Only before using the dishwasher for the first time pour approx. 1 l / 2 pt water into the salt opening.



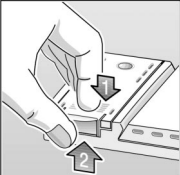
Pour in max. 1.5 kg / 3 lb 5 oz salt (never detergent!)



Screw on the lid. Switch on dishwasher immediately.

2 Fill with rinse aid

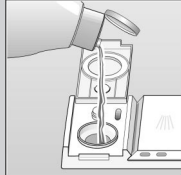
Everything is sparkling clean ...



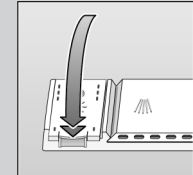
Press mark 1, lift up lid 2.



Refill whenever level indicator is light!



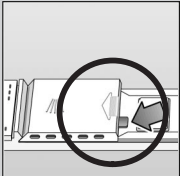
Pour in rinse aid.



Close the lid. CLICK!

3 Fill with detergent

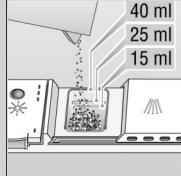
Very dirty dishes, a lot of detergent ...



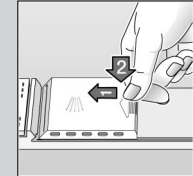
If required, open the lid (press the pin).



Warning, combination products are not suitable for all programmes, follow manufacturer's instructions.



Pour in detergent.



Push the lid shut, press. PLOP!

5 Select programme

Quick, economical or intensive

Programme Overview

This overview shows the maximum number of programmes available. You'll find the corresponding programmes of your device on your control panel.

The programme data are laboratory read-outs according to European Standard EN 50242. In practice, deviations are possible.

	Intensive 70°	Auto 55°/65°	Eco 50°	Gentle 40°	Quick 45°	Prerinse
Duration: hs/mins	1:52	1:35-2:25	2:20	1:12	0:30	0:19
Energy Consumption: kWh	1,60	1,15-1,50	1,05	0,80	0,70	0,10
Water Consumption: litres	21	11-19	14	15	10	4
With Aquasensor	18	-	-	12	-	-

Additional programmes **

Increased flexibility ...

Soak ...crockery in the lower basket, programme starts automatically, remember to add an extra 5g of cleaning agent when the door unlocks.

Time reduction/ time saving ...shortens the cleaning time, reduces the drying.

Upper basket cleaning ...Only the crockery in the upper basket is cleaned

Lower basket cleaning ...Only the crockery in the lower basket is cleaned

Time selection ...switches on as soon as you press the time selection button: Alters the programme start in hourly steps

** on some models

7 Switch on appliance

Press On/Off switch, running time of the chosen programme appears

7 Switch off the appliance

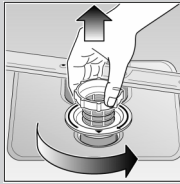
Everything O.K... When the display shows 0:00 (end of programme), press On/Off switch

Maintenance and care

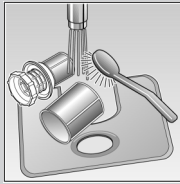
For perfect rinsing results ...

Cleaning the waste-water pump *

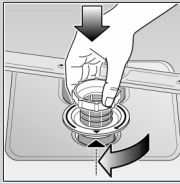
Strainers ...
Check, if required, clean




Rotate filter cylinder, remove filter system ...



rinse under flowing water ...



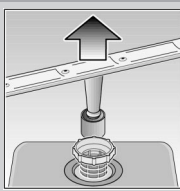
Insert ...



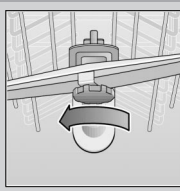
Screw in filter system **NOTE MARK!**

- * With some models
- Ladle out water and remove filters
 - Unscrew cover (Torx T20)
 - Check area of fan impeller for foreign objects
 - Screw in cover and insert filters

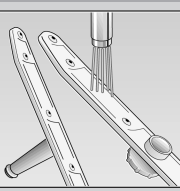
Spray arms ...
Remove blockages/deposits



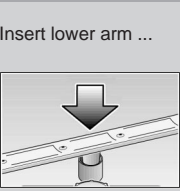
Pull lower arm upwards ...



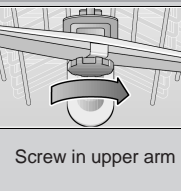
Unscrew upper arm ...



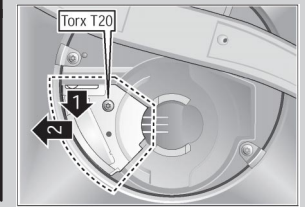
Clean spray nozzles under flowing water (perhaps with toothpick) ...



Insert lower arm ...



Screw in upper arm



Eliminating minor faults yourself ...

... Self-help pays!

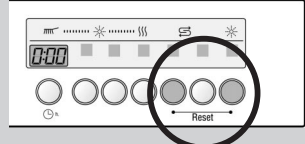
Fault	Possible Cause	Remedy
Residual water in the device	Waste-water pump blocked Programme not yet ended	▶ Clean waste-water pump (see above). ▶ Close and switch on appliance or terminate programme (see Terminating the programme).
Device does not work/stops	Supply fitting not open Supply hose kinked Supply fitting jammed or calcified	▶ Open supply fitting. ▶ Lay supply hose without kinks. ▶ 1. Unscrew water connection. ▶ 2. Clean filter in the water connection. ▶ 3. Flow rate must be min. 9 l/min when the water inlet is open. ▶ If the flow rate is less, replace the supply fitting.
Plastic parts / parts of dishes discoloured	Too little cleaning product Discoloration caused by food colourings (tomato sauce)	▶ Follow manufacturer's specifications (detergent). ▶ Discoloration is quite safe; fades after subsequent rinse cycles.
Cutlery rusty	Cutlery not rust-proof Hard knife blades are more susceptible Extraneous rust	▶ Use dishwasher-proof cutlery. ▶ Never wash rusting parts in the appliance.

Fault	Possible Cause	Remedy
Dishes not clean Sand or grainy residues on dishes	Utensils are situated too close to each other or on top of each other Too little cleaning product Unsuitable programme selected Spray nozzles blocked Filters dirty, not installed securely Spray arms blocked	▶ Spread out the utensils, avoid contact between the utensils. ▶ Follow manufacturer's specifications (detergent). ▶ Select more intensive programme. ▶ Clean spray arms (see above). ▶ Clean the strainers (see above). ▶ Arrange the utensils so that the spray arms can rotate freely.
Stains and streaks	Rinse aid dosage too high / too low	▶ Streaks: Reduce dosage. ▶ Water or limescale stains: Increase dosage.
Milky residues on dishes (can be removed)	Water softening system incorrectly set; no special salt	▶ Set water softening system correctly. ▶ Refill with special salt.
Milky film, glasses cloudy / dull (cannot be removed)	Glasses not dishwasher-proof.	▶ Use dishwasher-proof glasses. ▶ Use glass-friendly cleaning products.

Further advice can be found in the instruction manual

Stopping the programme ...

Press and hold the two reset buttons simultaneously for approximately 3 seconds while the programme is running (RESET)



▶ "0:00" appears
▶ The programme will stop after 1 minute

Switch off the appliance.

Loading the dishwasher correctly ...

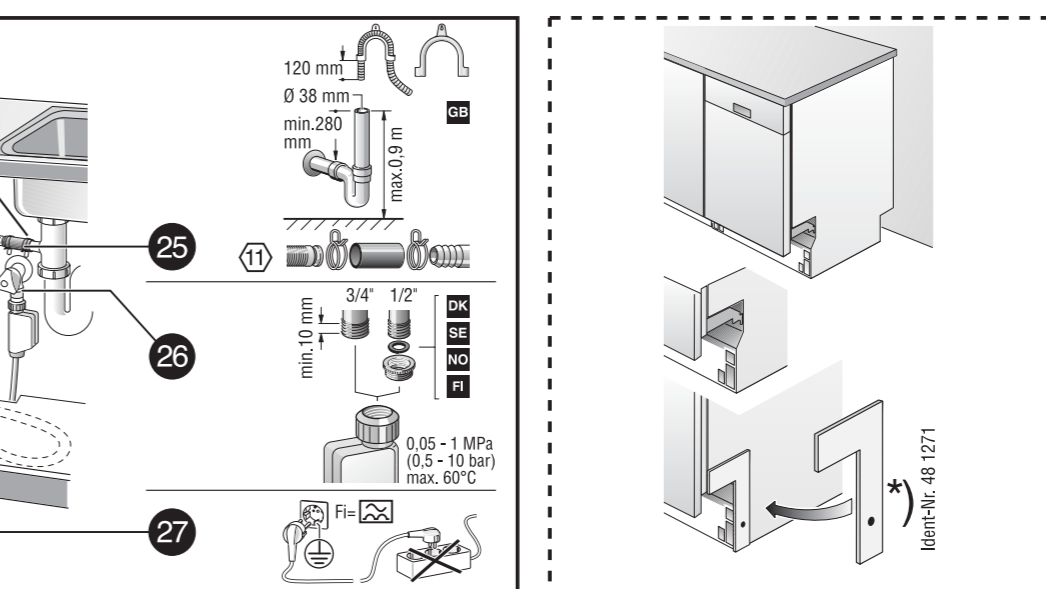
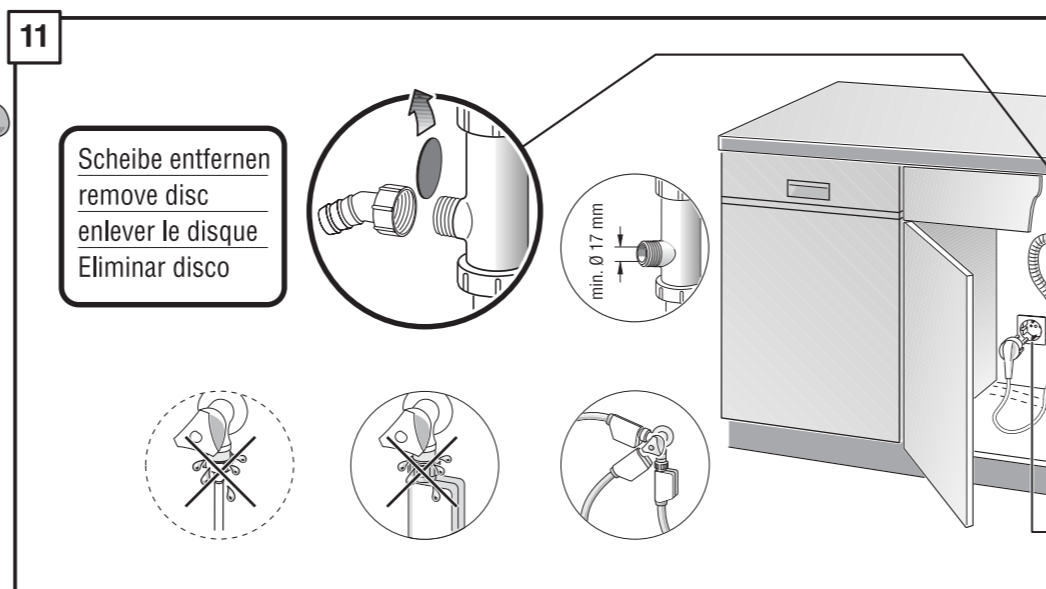
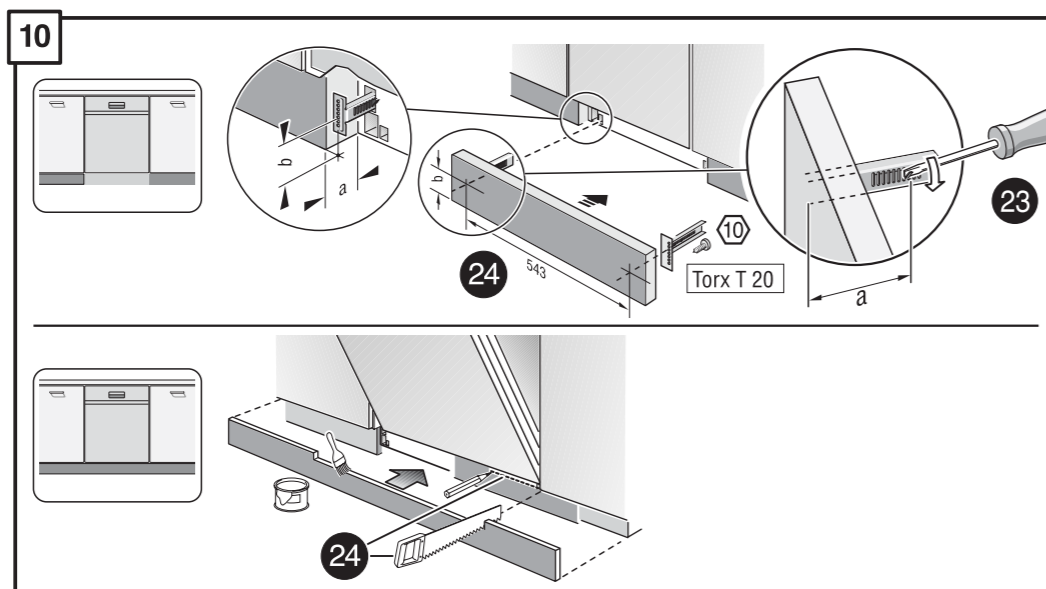
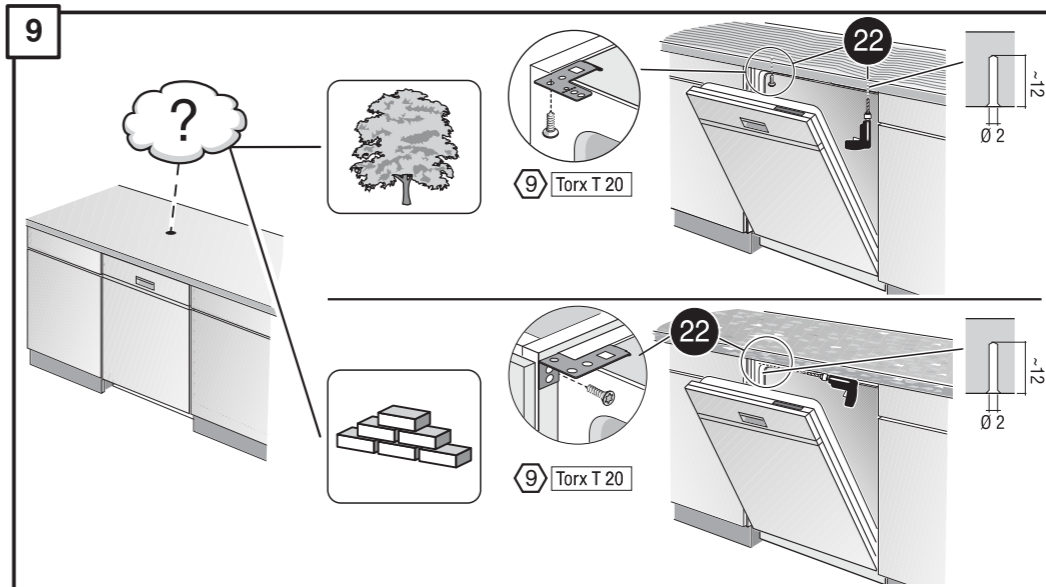
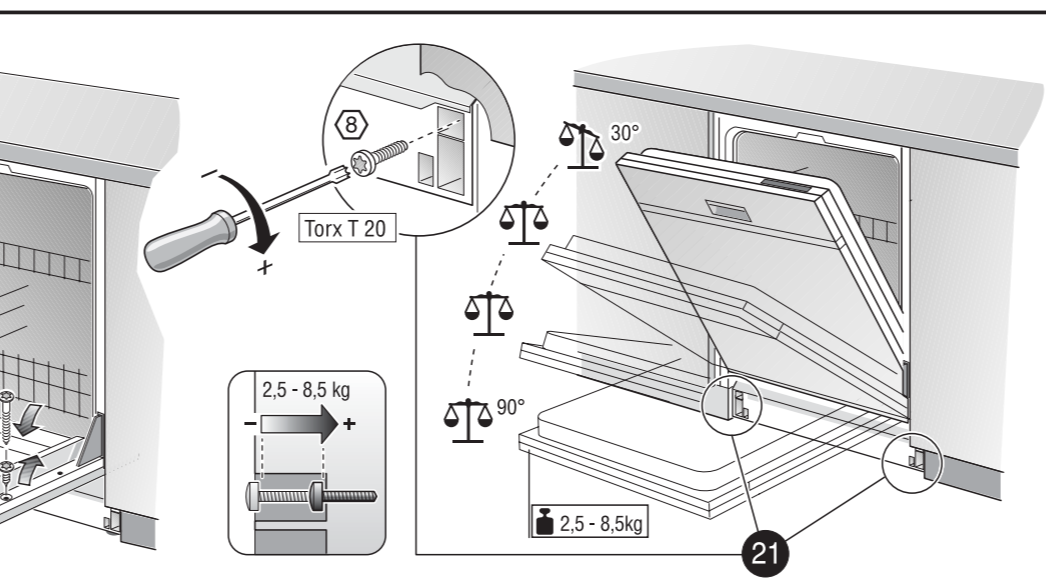
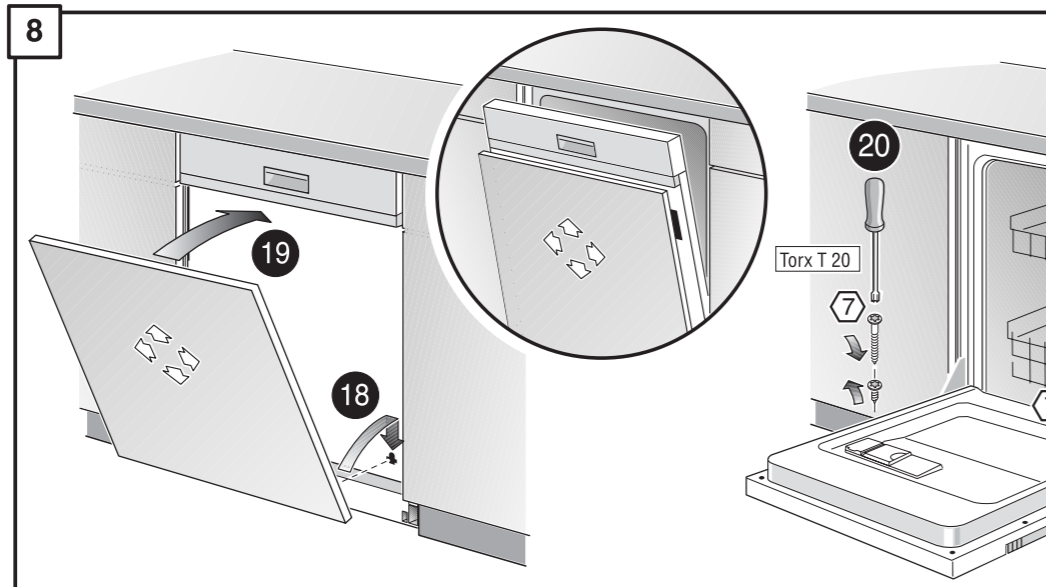
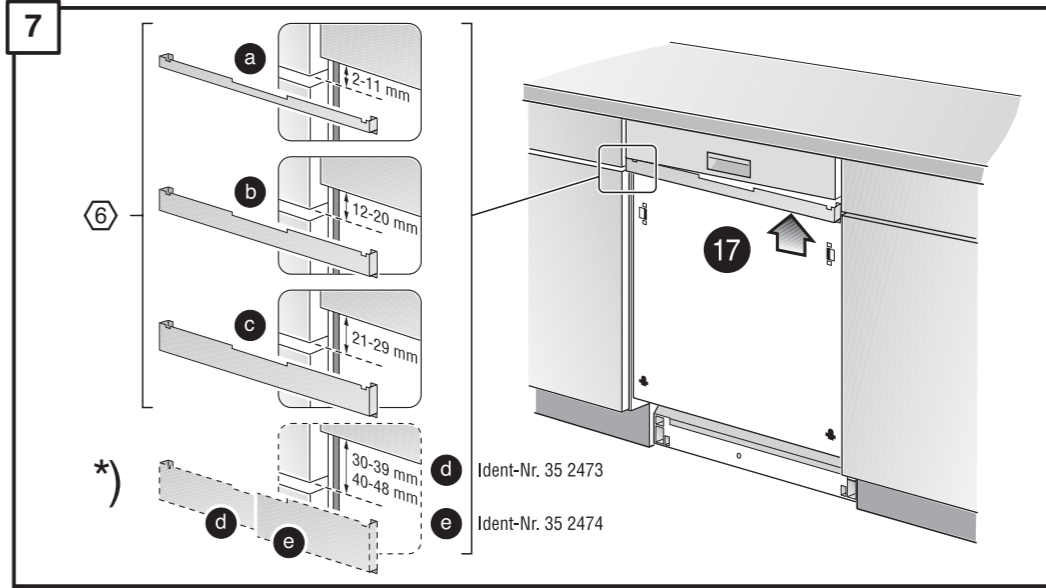
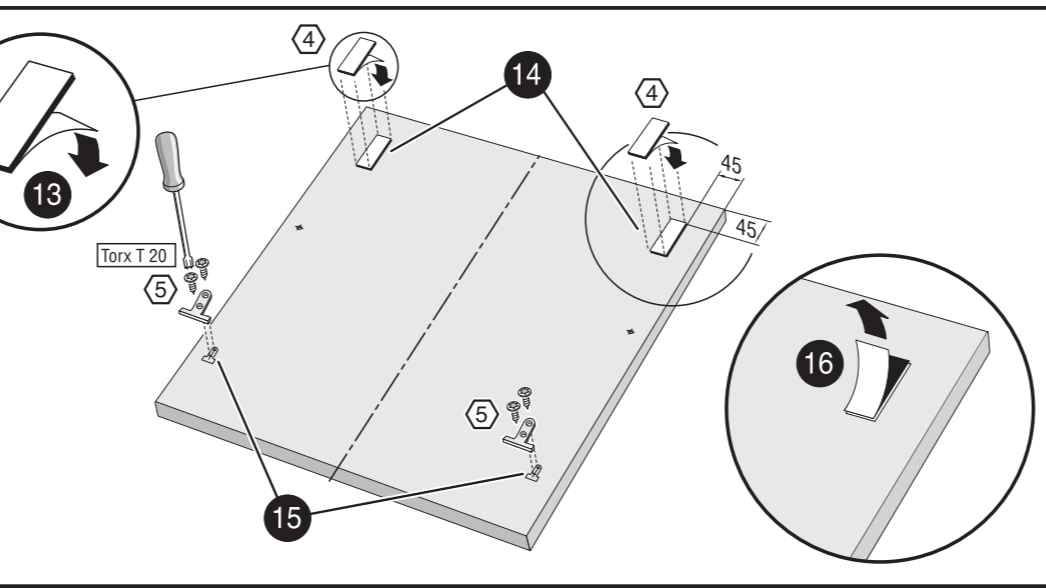
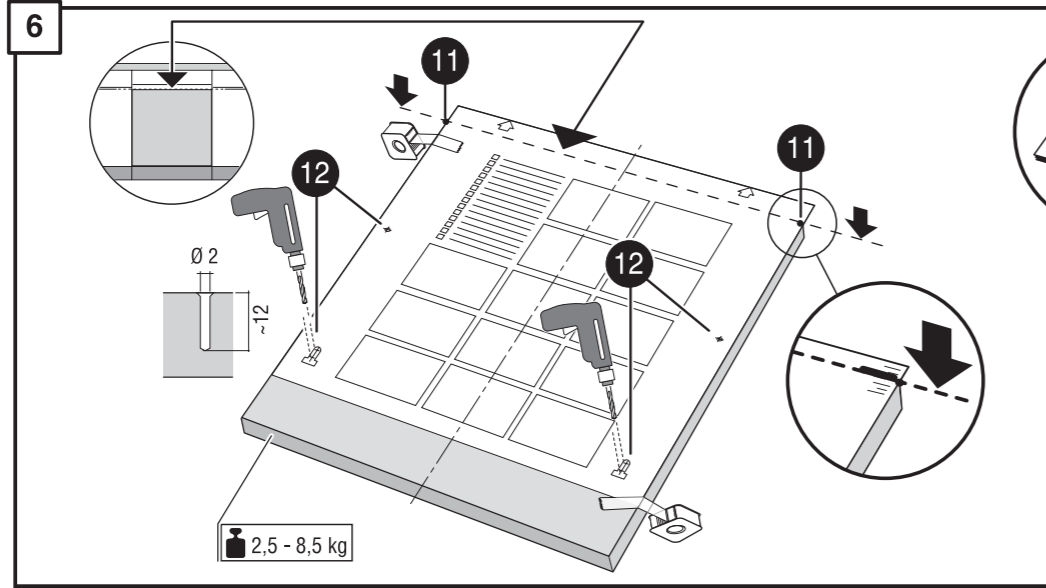
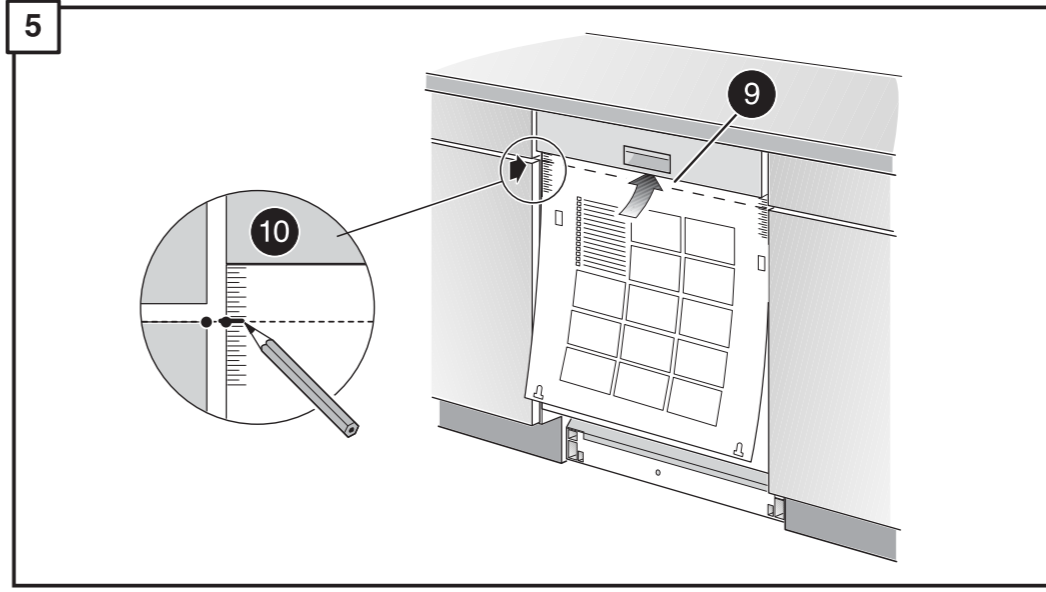
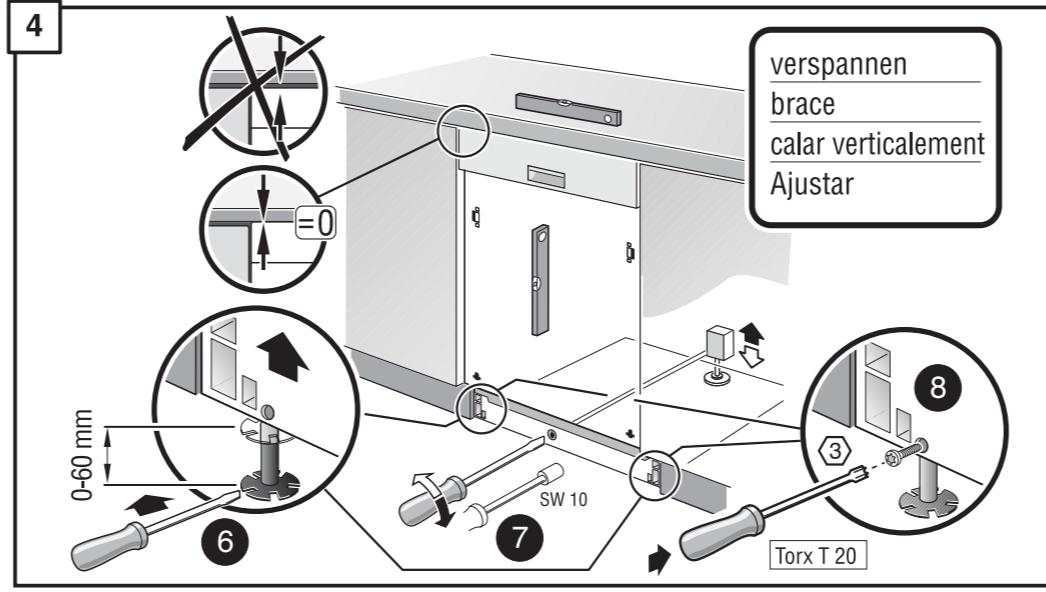
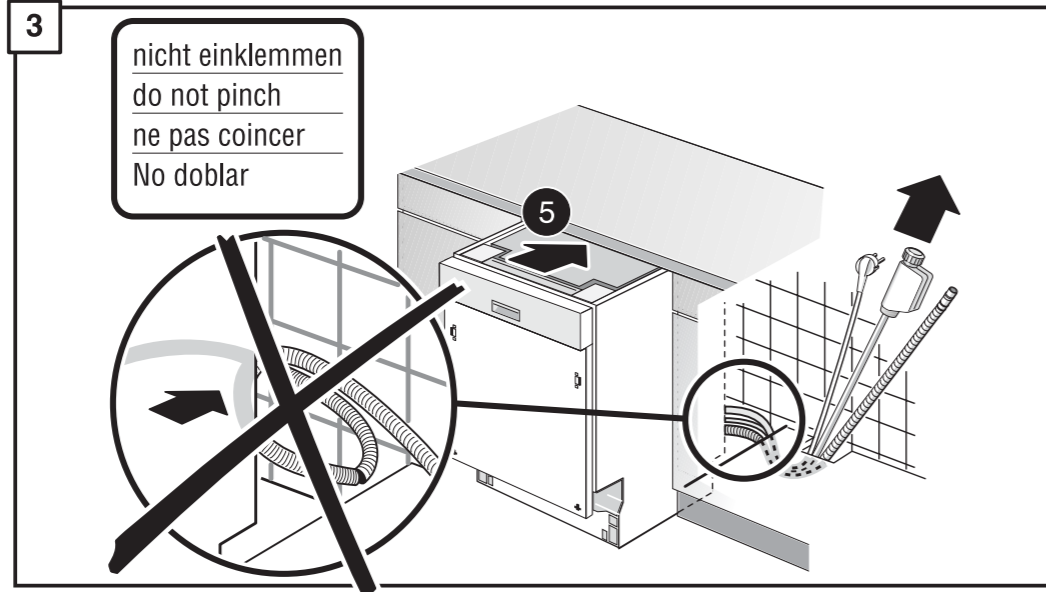
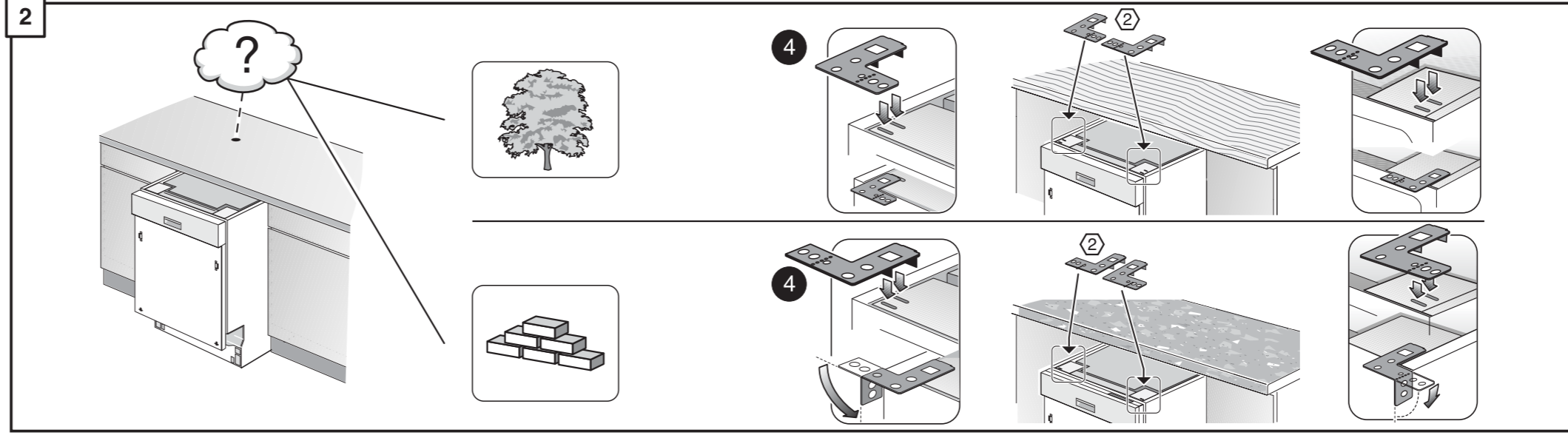
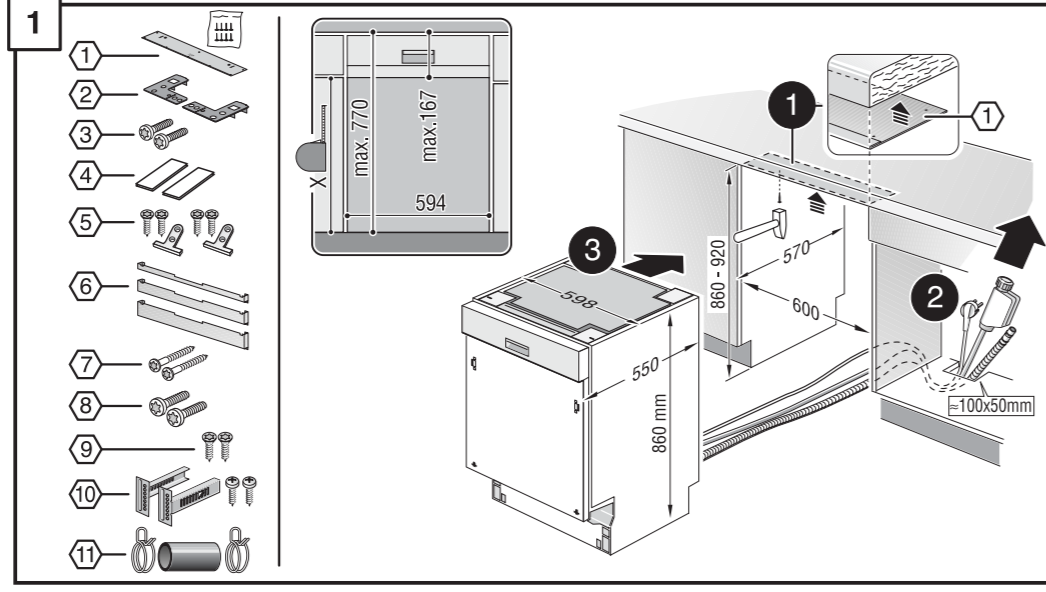
Arrange dishwasher-proof utensils (having removed any ash, wax, grease, ink, sticky labels; remove, large remnants of jam, dairy products and food) according to the operating instructions and check that the spray arms can rotate freely.

9000 115 113 ◆◆ ◆◆ 9000 115 113

de Montageanweisung	pt Instruções de montagem
en Assembly Instructions	sv Monteringsanvisning
fr Instructions de montage	no Montasjeveiledning
nl Montage-Voorschriften	fi Assennus ohjeet
it Istruzioni per il montaggio	da Monteringsvejledning
el Οδηγία συναρμολόγησης	tr Montaj kılavuzu
es Instrucciones de montaje	ru Указания по монтажу

pl Instrukcja montażu
cs Montážní návod
hu Szerelési útmutató
ko 조립요령
ar تعليمات التركيب
zh 安裝說明

9000 115 113 (8508)
630 / 634 I - 86 - Niro - Haube - KL



*) Über Kundendienst bzw. Handel erhältlich	*) Se puede adquirir a través del Servicio de Asistencia Técnica o en el comercio especializado
*) Available from your service agent or retailer	*) Pode ser adquirido nos Serviços Técnicos ou no comércio da especialidade
*) Fourni par le SAV ou les vendeurs	*) Erhältel via Service respektive handeln
*) Bij de Servicedienst resp. in de handel tegen meerprijs verkrijgbaar	*) Fåes hos kundenservice htv. handelen
*) In vendita presso il servizio assistenza clienti o in commercio	*) Saatavissa hoiutopalvelusta tai alan liikkeistä
*) Διατίθεται από την υπηρεσία τεχνικής εξυπηρέτησης πελατών ή από το εμπόριο	*) Kan købes hos serviceafdeling eller forhandler

*) Yetkili servis veya satış yerleri üzerinden tedarik edilebilir	*) يمكن الحصول عليه عن طريق مركز خدمة العملاء أو في المتاجر
*) Можно заказать через службу сервиса или торговую организацию	*) 可向售後服務站或專賣店購買
*) Do nabycia w punkcie serwisowym lub sieci handlowej	
*) K dostání přes servisní službu, popř. obchod	
*) A vevőszolgálatnál ill. a kereskedelemben lehet beszerezni	
*) 고객센터 또는 대리점에서 구입	

