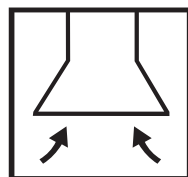


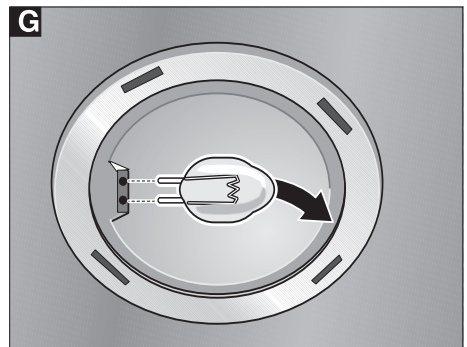
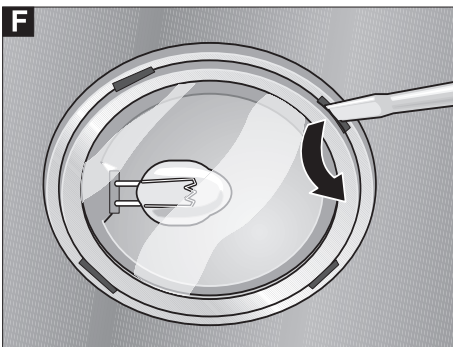
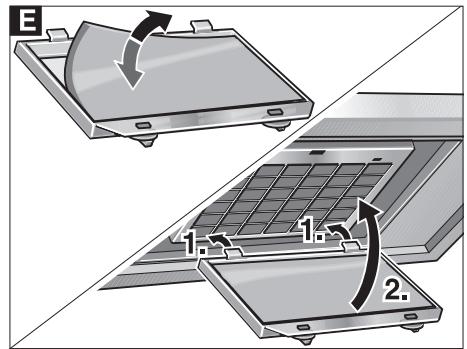
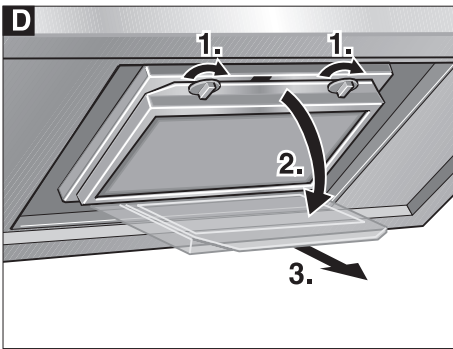
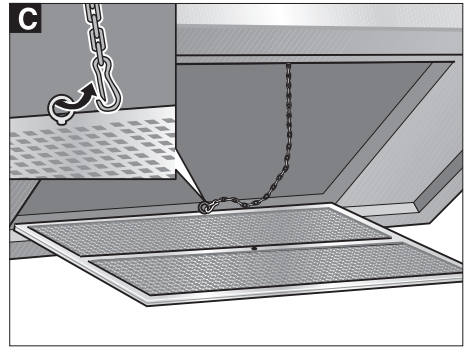
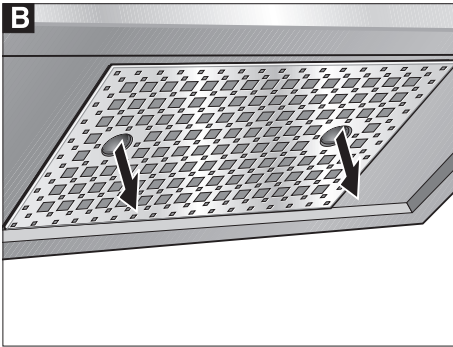
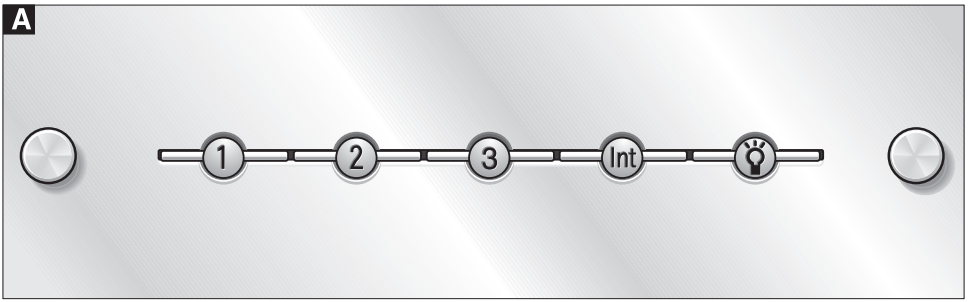
BEDIENUNGSANWEISUNG

- en Instructions for use
- fr Notice d'utilisation
- it Istruzioni per l'uso
- nl Gebruiksaanwijzing
- sv Bruksanvisning
- es Instrucciones de uso
- pt Instruções de serviço
- el Οδηγίες χρήσης

KD.. 9700.0GE/9800.0GE
IKD..10700.0GE/10800.0GE



de	3
en	8
fr	12
it	16
nl	20
sv	24
es	28
pt	33
el	37



Conditions of guarantee

The conditions of guarantee applicable for this product are subject to those published by the representative in the relevant country.

Details regarding same may be obtained from the dealer from whom the appliance was purchased.

For claims under guarantee the sales receipt must be produced.

Important information

This extractor hood complies with the relevant safety regulations.

Installation, connection and initial operation may only be carried out by a qualified technician.

Dispose of packaging material in accordance with the regulations (see installation instructions).

Operate the extractor hood with inserted light bulbs only.

Never operate the extractor hood without metal grease filters.

Overheated fat or oil can easily ignite. Food which is cooked with fat or oil, e.g. chips, must never be left unattended.

⚠ Risk of fire from rising flames!

Do not flambé under the extractor hood.

The extractor hood may be operated over a fireplace for solid fuels (coal, wood, etc.) under specific conditions only (see installation instructions).

Always use gas hotplates properly.

⚠ Risk of fire due to heat generation!

The flames of the gas hotplates must always be covered with a utensil.

Do not stress the glass cover excessively or one-sided. There is danger of injury in the case of glass breakage!

Always keep children away from the cooker hood.

Operation

Switch on the extractor hood for approx. 3 minutes before cooking in order to remove kitchen fumes.

Fan

Switching on the fan

- Press button **1**, **2** or **3**. The corresponding pushbutton is lit orange (**Fig. A**).

Selecting the power setting

The desired power setting is selected with buttons **1**, **2** or **3**.

1 = low motor speed

2 = medium motor speed

3 = high motor speed

Int = intensive setting

Switching off the fan

- Press the active button again (lit orange).

Switching on the Intensive setting


- Press the Int button.

The Intensive setting is usually required only briefly. Therefore, 10 minutes later the hood automatically switches back to setting 3.

When the Intensive setting has been activated, the Int button is lit orange.

Light

The light can be used independently of the fan.

- To switch the light on and off, press the  button.
The Light button is lit yellow.

Metal grease filters

Metal grease filters are used to absorb the grease particles in the kitchen fumes.

The metal grease filters must be cleaned every two weeks at the latest.

Warning!

As the filters become more and more saturated with grease residue, the risk of flammability increases and the function of the extractor hood may be impaired.

Important:

Cleaning the metal grease filters regularly will prevent the risk of fire which can be caused by the accumulation of heat when (deep-fat) frying.

Circulating-air mode

An active carbon filter has been installed to absorb odours in circulating-air mode. The active carbon filter is situated in the housing of the extractor hood.

The active carbon filter must be replaced once a year.

Cleaning and servicing

- Isolate the extractor hood: pull out the mains plug and/or disconnect the fuse.**
- When cleaning the metal grease filters, remove grease deposits from the accessible parts of the housing.
- Clean the extractor hood with a hot soapy solution or a mild window cleaner.
- Do not scratch off dried-on dirt, but wipe off with a damp cloth.
- Do not use abrasive cleaning agents or scouring sponges.

Note: *Do not use alcohol (spirit) on plastic surfaces; dull marks could occur.*

Caution! *Adequately ventilate the kitchen. Avoid naked flames.*

Stainless-steel surfaces

- Use a mild, non-abrasive stainless-steel cleaner.
- Clean in the direction of the ground surface only.
- Do not clean the stainless-steel surfaces with scouring sponges or with cleaning agents containing sand, soda, acid or chloride!

Cleaning glass

- ❑ Clean glass surfaces with a commercially available glass cleaner.

Buttons and plastic components

- ❑ Clean the buttons with a mild soapy solution and a soft damp cloth only.
- ❑ Do not use a stainless-steel cleaner.

Cleaning the metal grease filters

The metal grease filters can be cleaned in the dishwasher. A slight discoloration may occur.

Important: Do not wash highly saturated metal grease filters with other utensils.

If cleaning by hand, soak the metal grease filters in a hot soapy solution. Then brush off the grease, rinse thoroughly and leave to dry.

Removing and installing the metal grease filters

- ❑ Isolate the extractor hood.
- ❑ Grasp both handle openings and slowly pull the grease filter out (**Fig. B**).
- ❑ The metal grease filter is attached to a chain to prevent it from falling. Disconnect the chain from the metal grease filter (**Fig. C**).
- ❑ Clean the metal grease filters.
- ❑ Insert the cleaned metal grease filters.

Replacing the active carbon filter

- ❑ Isolate the extractor hood.
- ❑ Remove the metal grease filter.
- ❑ Simultaneously release both sides of the active carbon filter, open in the direction of the arrow and remove carefully (**Fig. D**).
- ❑ Change worn active carbon filter (**Fig. E**).
- ❑ Install in reverse sequence.

Changing the bulbs

⚠ **Caution!**

The halogen lamps become very hot. Only replace halogen lamps when they have cooled off.

Only replace the halogen lamps with lamps of the same type.

- ❑ Isolate the extractor hood.
- ❑ Prise off the decorative metal ring. Ensure that the glass cover does not fall out (**Fig. F**).
- ❑ Take the halogen bulb out of the holder.
- ❑ Hold the new halogen bulb, type G4 (20 W), with a cloth and insert it (**Fig. G**).
- ❑ Insert the glass cover and decorative ring.

Faults

If the extractor hood cannot be operated:

- Isolate the extractor hood for approx. 1 minute. Restore the power supply.

If the extractor hood is making indefinable noises:

- Check the exhaust-air line.
- If the fault cannot be rectified, notify customer service.

Rating plate

The rating plate is found in the interior of the cooker hood. Remove the metal grease filter and the active charcoal filter. Note the following data in case you need to contact customer service.

Production number:

Model designation:

Repairs may be performed by qualified technicians only.

Improper repairs may place the user in considerable danger.