

# Gebrauchs- und Montageanleitung

Instructions for installation and use

Instructions de montage et d'emploi

Gebruiks- en montageaanwijzing

Istruzioni per l'installazione e l'uso

Istrucciones para el montaje y el uso

**Wichtig: Unbedingt lesen und aufbewahren!**

Important: Read these instructions carefully and then store them in a safe place

Important: Lire attentivement et ranger soigneusement ce mode d'emploi

Belangrijk: Beslist lezen en bewaren

Importante: È necessario leggere attentamente queste istruzioni e conservarle con cura

Importante: Leerlas imprescindiblemente y guardarlas

## Flächenbündige Unterbaukühlgeräte

Flushline built-under refrigerator

Réfrigérateur à sous-encastrer

Onderbouwkoelkast

Frigorifero sottotavolo

Frigorífico empotrable

**Modell: UKE 177-6**



p.: 14 - 23



24 - 33



34 - 43



44 - 53



54 - 63

Küppersbusch Vertriebsgesellschaft mbH

Postfach 10 01 32

45801 Gelsenkirchen

Hausanschrift:

Küppersbuschstr. 16

45883 Gelsenkirchen

Telefon: (02 09) 4 01 -0

Teletex: 20 931 810

Telefax: (02 09) 4 01 -3 03

**Küppersbusch**

ALLERFEINSTE KÜCHENTECHNIK

# CONTENTS

<b>Instructions for the user</b>		<b>Maintenance</b>	<b>19</b>
<b>Important Safety Instructions</b>	<b>14</b>	Defrosting	19
<b>Description of the appliance</b>	<b>16</b>	Periodic cleaning	20
<b>Use</b>	<b>16</b>	Periodic of non-operation	20
Cleaning the interior	16	Interior light	20
Starting-up	16	<b>Customer service and spare parts</b>	<b>20</b>
Temperatur control	16	<b>Instructions for the installer</b>	
Fresh food refrigeration	17	<b>Technical specifications</b>	<b>20</b>
Freezing fresh food	17	<b>Installation</b>	<b>21</b>
Storage of frozen food	17	Positioning	21
Thawing	17	Electrical connection	21
Ice-cube production	17	Door reversal	22
Movable shelves	17	Panelling the door	22
Positioning the door shelves	17	Inner door reversal	23
<b>Hints</b>	<b>18</b>	Building in the appliance in under a worktop	23
Hints for refrigeration	18		
Hints for freezing	18		
Hints for storage of frozen food	18		

## **IMPORTANT SAFETY INSTRUCTIONS**

**It is most important that this instruction book should be retained with the appliance for future reference.**

**Should the appliance be sold or transferred to another owner, or should you move house and leave the appliance, always ensure that the book is supplied with the appliance in order that the new owner can be acquainted with the functioning of the appliance and the relevant warnings.**

**These warnings are provided in the interest of safety. You must read them carefully before installing or using the appliance.**

### **General Safety**

- This appliance is designed to be operated by adults. Children should not be allowed to tamper with the controls or play with the product.
- It is dangerous to alter the specifications or modify this product in any way.
- Before any cleaning or maintenance work is carried out, be sure to switch off and unplug the appliance.
- This appliance is heavy. Care should be taken when moving it.
- Ice follies can cause frost burns if consumed straight from the appliance.
- **Take utmost care when handling your appliance so as not to cause any damages to the cooling unit with consequent possible fluid leakages.**
- **The appliance must not be located close to radiators or gas cookers.**
- **Avoid prolonged exposure of the appliance to direct sunlight.**
- **There must be adequate ventilation round the back of the appliance and any damage to the refrigerant circuit must be avoided.**
- **For freezers only (except built-in models): an ideal location is the cellar or basement.**

- **Do not use other electrical appliances (such as ice cream makers) inside of refrigerating appliances.**

## Service / Repair

- Any electrical work required to install this appliance should be carried out by a qualified electrician or competent person.
- This appliance should be serviced by an authorised Service Centre, and only genuine spare parts should be used.
- Under no circumstances should you attempt to repair the appliance yourself. Repairs carried out by inexperienced persons may cause injury or more serious malfunctioning. Refer to your local Service Centre, and always insist on genuine spare parts.
- This appliance contains hydrocarbons in its cooling unit; maintenance and recharging must therefore only be carried out by authorised technicians.

## Use

- The domestic refrigerators and freezers are designed to be used specifically for the storage of edible foodstuffs only.
- **Warning:** when the ambient temperature is not included within the range indicated for the class of this appliance, the following instructions must be observed: when the ambient temperature drops below the minimum level, the storage temperature in the freezer compartment cannot be guaranteed; therefore it is advisable to use the food stored as soon as possible.
- Frozen food must not be re-frozen once it has been thawed out.
- Manufacturers' storage recommendations should be strictly adhered to. Refer to relevant instructions.
- The inner lining of the appliance consists of channels through which the refrigerant passes. If these should be punctured this would damage the appliance beyond repair and cause food loss. **DO NOT USE SHARP INSTRUMENTS** to scrape off frost or ice. Frost may be removed by using the scraper provided. Under no circumstances should solid ice be forced off the liner. Solid ice should be allowed to thaw when defrosting the appliance. See defrost instructions.
- Do not place carbonated or fizzy drinks in the freezer as it creates pressure on the container, which may cause it to explode, resulting in damage to the appliance. Do not use a mechanical device or any artificial means to speed up the thawing process other than those recommended by the manufacturer. Never use metal objects for cleaning your appliance as it may get damaged.


## Installation



- Care must be taken to ensure that the appliance does not stand on the electrical supply cable.  
**Important:** if the supply cord is damaged, it must be replaced by a special cord or assembly available from the manufacturer or its service agent.
- During normal operation, the condenser and compressor at the back of the appliance heat up considerably. For safety reasons, minimum ventilation must be as shown in the relevant paragraph.  
**Attention: keep ventilation openings clear of obstruction.**
- **If the appliance is transported horizontally, it is possible that the oil contained in the compressor flows in the refrigerant circuit. It is advisable to wait at least two hours before connecting the appliance to allow the oil to flow back in the compressor.**
- There are working parts in this product which heat up. Always ensure that there is adequate ventilation as a failure to do this will result in component failure and possible food loss. See installation instructions.
- Parts which heat up should not be exposed. Wherever possible the back of the product should be against a wall.
- If the appliance has been transported horizontally, it is possible that the oil contained in the compressor flows in the refrigerant circuit. It is advisable to wait at least two hours before connecting the appliance to allow the oil to flow back in the compressor.

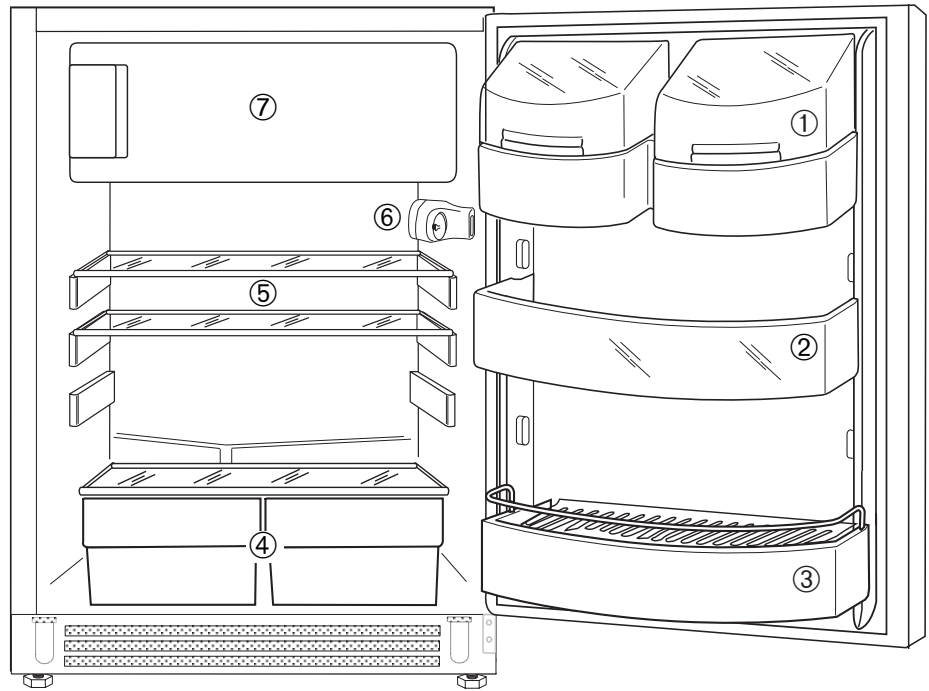


## Environment Protection

- **This appliance does not contain gasses which could damage the ozone layer, in either its refrigerant circuit or insulation materials. The appliance shall not be discarded together with the urban refuse and rubbish. Avoid damaging the cooling unit, especially at the rear near the heat exchanger. Information on your local disposal sites may be obtained from your municipal authorities.**
- **The materials used on this appliance marked with the symbol  are recyclable.**

## **i** DESCRIPTION OF THE APPLIANCE

- ① Butter shelf
- ② Shelf
- ③ Bottle shelf
- ④ Salad drawers
- ⑤ Storage shelves
- ⑥ Thermostat
- ⑦ Freezer compartment



## **i** USE

### Cleaning the interior

Before using the appliance for the first time, wash the interior and all internal accessories with lukewarm water and some neutral soap so as to remove the typical smell of a brand-new product, then dry thoroughly.

**⚠ Do not use detergents or abrasive powders, as these will damage the finish.**

### Starting-up

Insert the plug into the wall socket. Open the door and turn the thermostat control knob, to be found on the upper right hand side of the inner compartment, clockwise beyond position «O» (OFF) to start the appliance.

### Temperature control

Temperature adjustment is obtained by turning the thermostat knob clockwise until its pointer coincides with the required setting.

**A medium setting is generally the most suitable.**

The minimum setting (least cold) is represented by the lowest number and the maximum setting (coldest) by the highest number. In any case, bear in mind that the temperature can be either increased (warmer) by turning the thermostat knob anticlockwise or decreased (colder) by turning it clockwise.

The thermostat knob setting should be adjusted depending on the inner temperature of the refrigerator, which, in turn, depends on a number of factors, such as: the ambient temperature, the number of times the door is opened, the quantity of food stored and the location of the appliance.

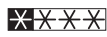
**⚠ Warning**  
**If the ambient temperature is high, the thermostat knob is on the coldest setting (higher numbers) and the appliance is fully loaded, the compressor may run continuously, causing frost or ice to form on the evaporator. If this happens, turn the knob to a warmer setting (lower numbers) to allow automatic defrosting and so a saving in electricity consumption.**

## Fresh food refrigeration

The refrigerator compartment is suitable for cooling drinks and for normal food storing.

To obtain the best performance, do not store warm food or evaporating liquids in the refrigerator and do cover or wrap up the food, particularly if it has a strong smell.

## Freezing fresh food

The 4-star compartment (  ) is suitable for long term storage of commercially frozen food and for freezing fresh food.

To freeze fresh foods it is not necessary to change the setting of the thermostat knob.

However, for a quicker freezing operation, turn the thermostat knob to the coldest setting; but remember that, in this condition, the refrigerator compartment temperature might drop below 0°C. If this occurs reset thermostat knob to a warmer setting.

## Storage of frozen food

When first starting-up or after a period out of use, before putting the products in the compartment let the appliance run for at least two hours on the coldest setting, then turn the thermostat knob to the normal operating position.



### Important

**If there is a power failure when food is in the freezer, do not open the door of the freezer compartment. The frozen food will not be affected if the power cut is of short duration (up to 12 hours) and the freezer compartment is full, otherwise, it is recommended that the food should be used within a short time (a temperature increase of the frozen food shortens its safe storage period).**

## Thawing

Deep-frozen or frozen food, prior to being used, can be thawed in the refrigerator compartment or at room temperature, depending on the time available for this operation.

Small pieces may even be cooked still frozen, directly from the freezer: in this case, cooking will take longer.

## Ice-cube production

This appliance is equipped with one or more trays for the production of ice-cubes.

Fill these trays with water, then put them in the freezer compartment.

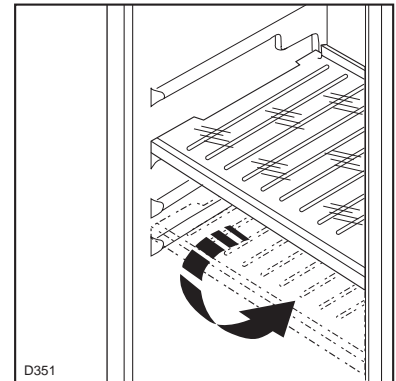


**Do not use metallic instruments to remove the trays from the freezer.**

## Movable shelves



The walls of the refrigerator are equipped with a series of runners so that the shelves can be positioned as desired.



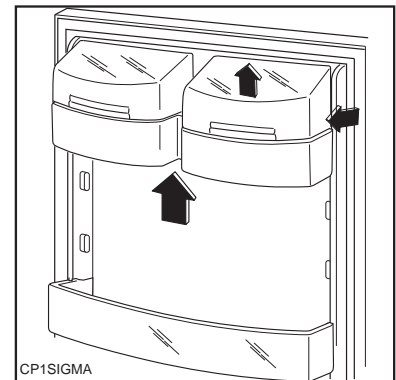
## Positioning the door shelves

To permit storage of food packages of various sizes, the central door shelf can be adjusted in height.

To make these adjustments proceed as follows:

Gradually pull the shelf in the direction of the arrows until it comes free, then reposition as required.

For more thorough cleaning, the top and bottom door shelves can be removed by pulling them in the direction of the arrows, then refitting them in position.



## HINTS

### Hints for refrigeration

To help you use your refrigerator correctly, here are some useful hints:

**Cooked food, cold cuts, jelly, etc.:** these should be well covered and can be stored on any of the glass shelves.

**Fruit & vegetables:** these should be thoroughly cleaned and placed in the bottom drawer.

**Butter & cheese:** these should be placed in special airtight containers or wrapped in aluminium foil or polythene bags to keep out as much air as possible.

**Milk bottles:** these should have a top and should be stored in the bottle rack on the door.

**Raw meat** (beef, pork, lamb & poultry): wrap in polythene bags and place on top of the salad compartment, this being the coldest spot in the refrigerator.

**Meat can only be stored safely in this way for one or two days at the most.**

**Bananas, potatoes, onions and garlic, if not packed, must not be kept in the refrigerator.**

### Hints for freezing

To help you make the most of the freezing process, here are some important hints:

- **the maximum quantity of food which can be frozen in 24 hrs. is shown on the rating plate;**
- the freezing process takes 24 hours. No further food to be frozen should be added during this period;
- only freeze top quality, fresh and thoroughly cleaned, foodstuffs;
- prepare food in small portions to enable it to be rapidly and completely frozen and to make it possible subsequently to thaw only the quantity required;
- wrap up the food in aluminium foil or polythene and make sure that the packages are airtight;
- do not allow fresh, unfrozen food to touch food which is already frozen, thus avoiding a rise in temperature of the latter;
- lean foods store better and longer than fatty ones; salt reduces the storage life of food;
- water ices, if consumed immediately after removal from the freezer compartment, can possibly cause the skin to be freeze burnt;


- it is advisable to show the freezing-in date on each individual pack to enable you to keep tab of the storage time;
- **do not put carbonated liquids (fizzy drinks, etc.) in the freezing compartment as they may burst.**

### Hints for storage of frozen food

To obtain the best performance from this appliance, you should:

- make sure that the commercially frozen foodstuffs were adequately stored by the retailer;
- be sure that frozen foodstuffs are transferred from the foodstore to the freezer in the shortest possible time;
- not open the door frequently or leave it open longer than absolutely necessary.
- Once defrosted, food deteriorates rapidly and cannot be refrozen.
- Do not exceed the storage period indicated by the food manufacturer.

 **Unplug the appliance before carrying out any maintenance operation.**

 **Warning**  
**This appliance contains hydrocarbons in its cooling unit maintenance and recharging must therefore only be carried out by authorised technicians.**

## Defrosting

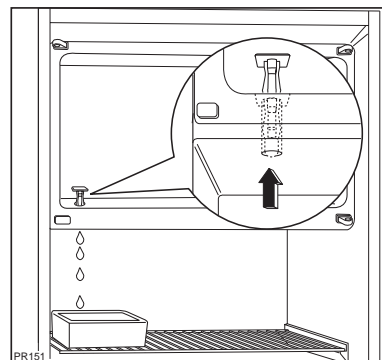
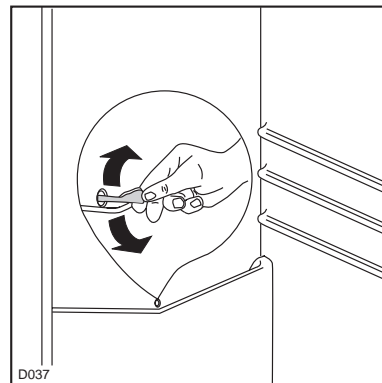
Frost is automatically eliminated from the evaporator of the refrigerator compartment every time the motor compressor stops, during normal use. The defrost water drains out through a trough into a special container at the back of the appliance, over the motor compressor, where it evaporates.

**It is important to periodically clean the defrost water drain hole in the middle of the refrigerator compartment channel to prevent the water overflowing and dripping onto the food inside. Use the special cleaner provided, which you will find already inserted into the drain hole.**

The freezer compartment, however, will become progressively covered with frost. This should be removed with the special plastic scraper provided, whenever the thickness of the frost exceeds 4 mm. During this operation it is not necessary to switch off the power supply or to remove the foodstuffs.

However, when the ice becomes very thick on the inner liner, complete defrosting should be carried out as follows:

1. pull out the plug from the wall socket or turn the thermostat knob to the «O» setting;
2. remove any stored food, wrap it in several layers of newspaper and put it in a cool place;
3. leave the door open, place a basin on the top shelf of the refrigerator compartment, under the drain hole, remove the plug as shown in the figure;
4. when defrosting is completed, dry the interior thoroughly and refit the plug.
5. Keep the scraper for future use.
6. Turn the thermostat knob back to the required setting or replace the plug in the power socket.
7. After two or three hours, reload the previously removed food into the compartment.



 **Important**  
**Never use sharp metal tools to scrape off frost from the evaporator as you could damage it.**

**Do not use a mechanical device or any artificial means to speed up the thawing process other than those recommended by the manufacturer.**

**A temperature rise of the frozen food packs, during defrosting, may shorten their safe storage life.**

## Periodic cleaning

Never use metal objects for clearing your appliance as it may get damaged. Clean the inside with warm water and bicarbonate of soda. Rinse and dry thoroughly.

To guarantee a safe operation of the fridge, once a year remove the ventilation grille at the base and clean the air channels with a vacuum cleaner.

## Periods of non-operation

When the appliance is not in use for long periods, take the following precautions:

remove the plug from the wall socket;

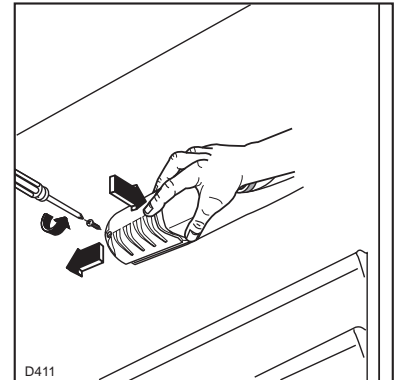
remove all food:

defrost and clean the interior and all accessories;

leave the door ajar to allow air to circulate to prevent unpleasant smells.

## Interior light

The light bulb inside the refrigerator compartment can be reached as follows:



1. unscrew the light cover securing screws;
2. unhook the moving part by pressing it as shown in the figure.

If the door is open and the light does not come on, check that the bulb is properly screwed in; if it still does not work, replace the bulb with one of the same power.

The maximum rating is shown on the light cover.

# **i** CUSTOMER SERVICE AND SPARE PARTS

If the appliance is not functioning properly, check that:  
the plug is firmly in the wall socket and the mains power switch is on;

there is an electricity supply (find out by plugging in another appliance);

the thermostat knob is in the correct position.

If there are water drops on the bottom of the cabinet, check that the defrost water drain opening is not obstructed (see "Defrosting" section).

If your appliance is still not working properly after making the above checks, contact the nearest service centre.

**To obtain fast service, it is essential that when you apply for it you specify the model and serial number of your appliance which can be found on the guarantee certificate or on the rating plate located inside the appliance, on the bottom left-hand side.**

# **i** TECHNICAL SPECIFICATIONS

The technical data is indicated in the rating plate on the left side inside the appliance.

Height	850	mm
Width	600	mm
Depth	600	mm



# INSTALLATION



If this appliance featuring magnetic door seals is to replace an older appliance having a spring lock (latch) on the door or lid, be sure to make that spring lock unusable before you discard the old appliance. This will prevent it from becoming a death-trap for a child.

## Positioning

The appliance should be installed well away from sources of heat such as radiators, boilers, direct sunlight etc.

Best performance is obtained with ambient temperature between +18°C and +43°C (class T); +18°C and +38°C (class ST); +16°C and +32°C (class N); +10°C and +32°C (class SN).

**The class of your appliance is shown on its rating plate.**

For building-in and door reversibility refer to the relevant instructions.

For safety reasons, minimum ventilation must be as shown in the figure.

**Attention: keep ventilation openings clear of obstruction.**

Two adjustable feet at the cabinet base allow accurate levelling of the appliance.



### Attention!

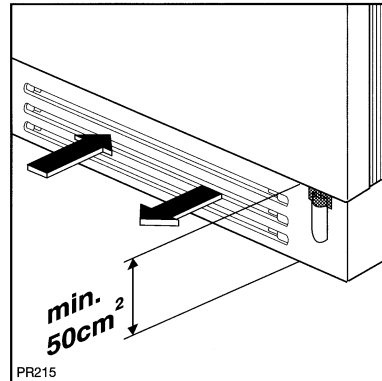
It must be possible to disconnect the appliance from the mains power supply; the plug must therefore be easily accessible after installation.

This appliance complies with EEC directive number, 87/308 of 2/6/87 relative to radio interference suppression.



This appliance complies with the following E.E.C. Directives:

- 73/23 EEC of 19.2.73 (Low Voltage Directive) and subsequent modifications;
- 89/336 EEC of 3.5.89 (Electromagnetic Compatibility Directive) and subsequent modifications.



## Electrical connection

Before plugging in, ensure that the voltage and frequency shown on the serial number plate correspond to your domestic power supply.

Voltage can vary by  $\pm 6\%$  of the rated voltage.

For operation with different voltages, a suitably sized auto-transformer must be used.



### Important

**The appliance must be earthed.**

The power supply cable plug is provided with a contact for this purpose.

If the domestic power supply socket is not earthed, connect the appliance to a separate earth in compliance with current regulations, consulting a specialist technician.

**The Manufacturer declines all responsibility if the above safety precautions are not observed.**

## Door reversal (where necessary)

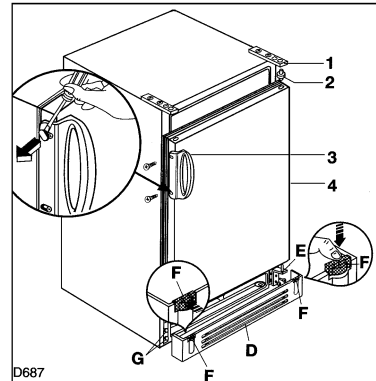


### Warning!

When changing the side of the door opening, the appliance may not be connected to the mains. Remove plug from the mains beforehand.

To reverse the opening direction of the door, proceed as follows:

1. Pull off the ventilation grille (D), which is a clip-on fit. Remove the bottom hinge (E) by unscrewing its two fixing screws.
2. Remove the plugs (G) and fit them on the opposite side.
3. Remove the door (4).
4. Unscrew pin (2) and screw it onto the opposite side.
5. Refit the door.
6. Refit the bottom hinge on the opposite side using the two screws previously removed.
7. Slide the hole cover (F) off the ventilation grille (D) and fit it on the opposite side.
8. Refit the ventilation grille, clipping it into place.
9. Remove the clip-in screw covers, then move the handle to the opposite side. Holes which are not used must be masked with the plastic plugs previously removed from the opposite side.



### Warning!

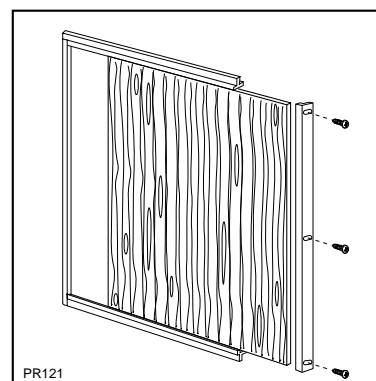
If the ambient temperature is cold (i.e. in Winter), the gasket may not fit perfectly to the cabinet. In that case, wait for the natural fitting of the gasket or accelerate this process by heating up the part involved with a normal hairdrier.

## Panelling the door

1. Take off the door frame section opposite to the door handle.
2. Loosen, without removing them, all remaining screws securing the door frame.
3. Slide in the decor panel from the frameless side, then fasten again the frame to the door including the previously removed frame section.

### Panel dimensions

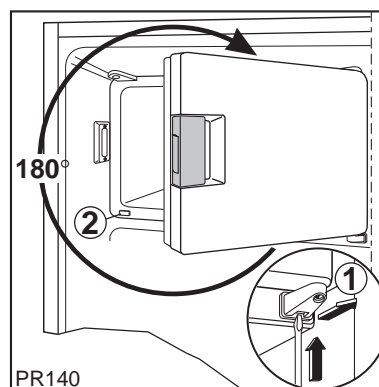
Width                586 mm  
Height               710 mm  
Max. thickness     4 mm



## Inner door reversal

1. Using a screwdriver release bracket (1) by pressing on the internal spring (Fig.) and withdraw it from its seat together with the door;
2. remove plug (2) and fit it in the hole left open on the opposite side;
3. turn the door through 180°, remove the bracket (1) and refit it on the opposite side.
4. Refit the door and insert the top pin and bottom bracket (1), pushing it into place.

To ensure correct storage of food, the door is fitted with a simple spring device which holds it in the open position until it is properly closed.



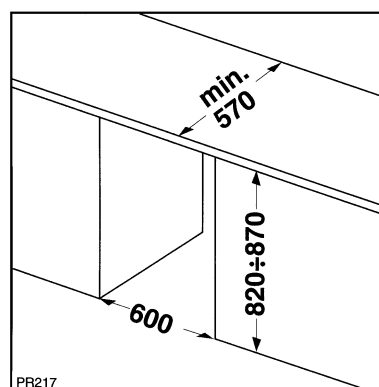
## Building in the appliance in under a worktop

The dimensions of the recess for building, in the appliance must be as shown in the figure.

If the recess height is 870 mm, the appropriate fitting kit must be used.

The kit contains the following parts:

- 1 ventilation grille;
- 2 adjustable feet;
- 2 non-adjustable feet;
- 1 instructions.



### Note:

Holes (H) in the top hinges are used for fixing the appliance to the worktop.

