

Gebrauchs- und Montageanleitung

Instructions for installation and use

Instructions de montage et d'emploi

Gebruiks- en montageaanwijzing

Istruzioni per l'installazione e l'uso

Istrucciones para el montaje y el uso

Wichtig: Unbedingt lesen und aufbewahren!

Important: Read these instructions carefully and then store them in a safe place

Important: Lire attentivement et ranger soigneusement ce mode d'emploi

Belangrijk: Beslist lezen en bewaren

Importante: È necessario leggere attentamente queste istruzioni e conservarle con cura

Importante: Leerlas imprescindiblemente y guardarlas

Flächenbündige Unterbaukühlgeräte

Flushline built-under refrigerator

Réfrigérateur à sous-encastrer

Onderbouwkoelkast

Frigorifero sottotavolo

Frigorífico empotrable

Modell: UKE 177-7



p.: 11 - 19



20 - 29



30 - 39



40 - 49



50 - 59

Küppersbusch

ALLERFEINSTE KÜCHENTECHNIK



Notes which are important for your safety or for the proper functioning of the appliance



Supplementary information regarding operation and practical applications of the appliance.



Tips and notes concerning economical and environmentally sound use of the appliance



Safety Instructions

Please read these operating instructions carefully before installing the appliance. These warnings are provided in the interests of your safety. Ensure you fully understand them before installing or using the appliance. If you are unsure about the meaning of these warnings contact the Customer Care Department.

Domestic Use

- The domestic refrigerators and freezers are designed to be used specifically for the storage of edible foodstuffs only.
- Check the appliance for transport damage. Under no circumstances should a damaged appliance be installed. In the event of damage please contact your retailer.
- This appliance is heavy. The edges and projecting parts of the cabinet may be sharp. Be careful when moving the cabinet and always use gloves.
- Any electrical work required to install this appliance should be carried out by a qualified electrician or competent person.
- Ensure that the appliance does not stand on the electrical supply cable.
- Do not use electrical appliances inside the appliance.
- Do not keep carbonated drinks or bottles in the freezer compartment. The glass bottles may break.

- Ice lollies can cause 'frost/freezer burns' if consumed straight from the freezer.
- It is dangerous to try and alter the specifications or modify this product in any way.
- Under no circumstances should you attempt to repair the appliance yourself. Refer to your local Service Centre, and always insist on genuine spare parts.

Child Safety

- This appliance is designed to be operated by adults only. There is a risk of suffocation! Keep packaging material away from children!
- In case of disposal of the appliance, cut off the supply cable as close as possible and make the lock unusable, to prevent children from closing themselves inside the appliances.



Environment Protection


- This appliance does not contain gasses which could damage the ozone layer, in either its refrigerant circuit or insulation materials. The appliance shall not be discarded together with the urban refuse and rubbish. Avoid damaging the cooling unit, especially at the rear near the heat exchanger. Information on your local disposal sites may be obtained from your municipal authorities.

Contents

Safety Instructions11
Disposal12
Use and Control Before Use / Refrigerator compartment - Starting the appliance12
Temperature control / Internal parts / Hints13
Freezer compartment - Temperature control / Interior accessories / Hints14
Maintenance Defrosting / Cleaning / Changing the light bulb15
Something not Working / Customer Service and Spare Parts / Technical Specifications16
Door reversal Inner door reversal17
Installation Positioning / Pannelling the door / Electrical connection18
Building-in19

Disposal

Appliance Packaging Information

- The materials used on this appliance marked with the symbol  are recyclable.
 - >PE<=polyethylene
 - >PS<=polystyrene
 - >PP<=polypropylene


All materials are environmentally sound!

Disposal of old Appliances

Information concerning collection schedules or locations can be obtained from your local Council or Environmental Health Office.

Use and Control

Before Use

 Wait two hours before connecting the appliance to allow the oil to flow back in the compressor.

- Before using the appliance for the first time, wash the interior and all internal accessories with lukewarm water and some neutral soap so as to remove the typical smell of a brand-new product, then dry thoroughly.

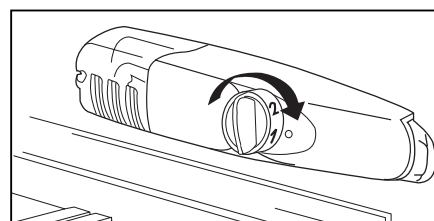
 **Do not use detergents or abrasive powders, as these will damage the finish.**

- Remove safety elements used for transportation.

Refrigerator compartment

Starting the appliance

- Insert the plug into the wall socket and turn the thermostat knob clockwise beyond position «O» (OFF).
- The thermostat control situated inside the fridge compartment regulates the temperature of the appliance.



- Turn the thermostat control to the required setting.

Temperature Control

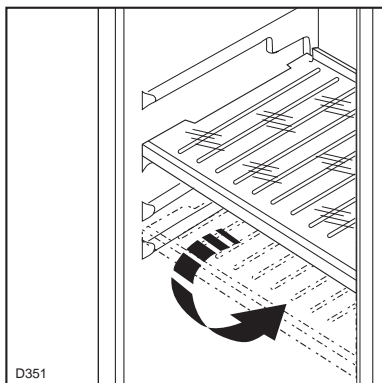
- The following effects are of significance in respect of the interior temperature:
 - Ambient temperature
 - Quantity and temperature of the food stored;
 - Frequency with which the door is opened and how long it is left open
 - the location of the appliance.
- The temperature inside the appliance is automatically adjusted.
 - **Setting „1“** = highest temperature, warmest setting
 - **Setting „6“** = lowest temperature, coldest setting.
 - **Setting „•“** = Off

A medium setting is generally the most suitable.

Internal Parts

Storage shelves

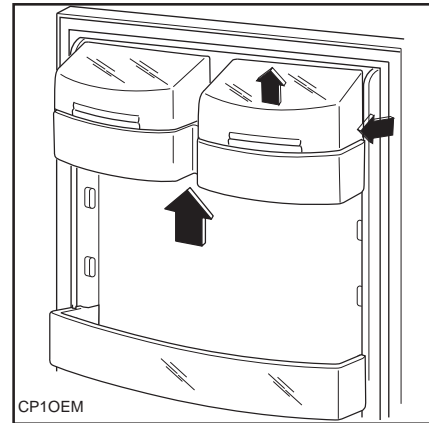
- The shelves can be removed for cleaning.
- To permit storage of food packages of various sizes, the shelves can be placed at different heights.
- To remove the internal shelf pull forward until it can be tipped up or down and removed.



- Please do the same in reverse to insert the shelf at a different height.

i The glass shelf above the vegetable drawers and the bottle shelf should always remain in position, to ensure correct air circulation.

- To permit storage of food packages of various sizes, the central door shelf can be adjusted in height.
- Gradually pull the shelf in the direction of the arrows until it comes free, then reposition as required.



- For more thorough cleaning, the top and bottom door shelves can be removed by pulling them in the direction of the arrows, then refitting them in position.

i Hints

Saving Energy

- Pay careful attention to where the cabinet is placed. See the section "Installation". When installed correctly the cabinet will consume less energy.
- Try to avoid keeping the doors open for long periods or opening the doors too frequently as warm air will enter the cabinet and cause the compressor to switch on unnecessarily often.
- If the ambient temperature is high, the thermostat knob is on the coldest setting (higher numbers) and the appliance is fully loaded, the compressor may run continuously, causing frost or ice to form on the evaporator. If this happens, turn the knob to a warmer setting (lower numbers) to allow automatic defrosting and so a saving in electricity consumption.
- Do not place warm foods inside the appliance. Allow warm foods to cool first.
- Put frozen food in the fridge to defrost. The cold in the frozen food will then be used to cool the fridge.

Hints for refrigeration

- Do not store warm food or evaporating liquids in the refrigerator and do cover or wrap up the food, particularly if it has a strong smell.

To help you use your refrigerator correctly, here are some useful hints:

- **Raw meat** (beef, pork, lamb & poultry): wrap in polythene bags and place on top of the salad compartment, this being the coldest spot in the refrigerator. **Meat can only be stored safely in this way for one or two days at the most.**
- **Cooked food, cold cuts, jelly, etc.:** these should be well covered and can be stored on any of the shelves.
- **Fruit & vegetables:** these should be thoroughly cleaned and placed in the bottom drawer/s.
- **Butter & cheese:** these should be placed in special airtight containers or wrapped in aluminium foil or polythene bags to keep out as much air as possible.
- **Milk bottles:** these should have a top and should be stored in the bottle rack on the door.
Bananas, potatoes, onions and garlic, if not packed, must not be kept in the refrigerator.

Freezer compartment

Temperature Control

- To freeze fresh foods it is not necessary to change the setting of the thermostat knob.
- For a quicker freezing operation, turn the thermostat knob to the coldest setting; but remember that, in this condition, the refrigerator compartment temperature might drop below 0°C. If this occurs reset thermostat knob to a warmer setting.
- At the first starting-up or after a period out of use, before putting the products in the compartment, let the appliance run for at least two hours on the coldest setting, then turn the thermostat knob to the normal operating position.

Interior Accessories

Ice-cube production

This appliance is equipped with one or more trays for the production of ice-cubes.

Fill these trays with water, then put them in the freezer compartment.



Do not use metallic instruments to remove the trays from the freezer.


Hints

Freezing of fresh food and storage of frozen food

- Prepare food in small portions to enable it to be rapidly and completely frozen and to make it possible subsequently to thaw only the quantity required.
- Wrap up the food in aluminium foil or polythene and make sure that the packages are airtight.
- Do not allow fresh, unfrozen food to touch food which is already frozen, thus avoiding a rise in temperature of the latter.
- Do not touch frozen food with wet hands. Your hands could stick to the food and cause skin abrasions.
- It is advisable to show the freezing-in date on each individual pack to enable you to keep tab of the storage time.
- Be sure that frozen foodstuffs are transferred from the foodstore to the freezer in the shortest possible time.
- **Do not put carbonated liquids (fizzy drinks, etc.) in the freezing compartment as they may burst.**
- Once defrosted, food deteriorates rapidly and cannot be refrozen.

Maintenance

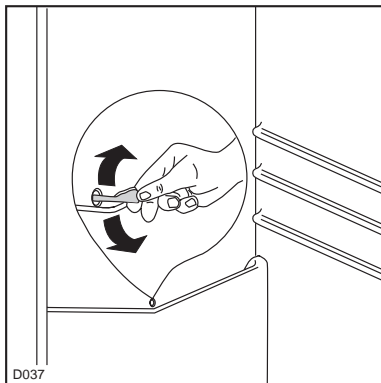
 **Unplug the appliance before carrying out any maintenance operation.**

 **Warning**
This appliance contains hydrocarbons in its cooling unit maintenance and recharging must therefore only be carried out by authorised technicians.

Defrosting

Refrigerator compartment

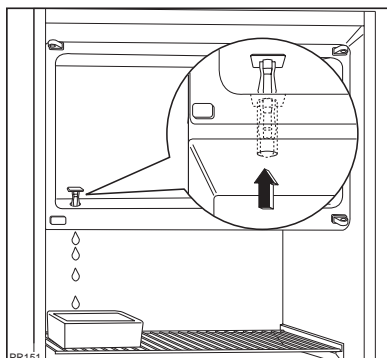
- Defrosting the refrigerator compartment is automatic. The defrost water drains out through a trough into a container at the back of the appliance, above the motor compressor, where it evaporates.




- It is important to periodically clean the defrost water drain hole.

Freezer compartment

- Remove the frost with a plastic scraper.
- Whenever the thickness of the frost exceeds 5 mm complete defrosting should be carried out.
Proceed as follows:
- Remove any stored food, wrap it in several layers of newspaper and put it in a cool place.
- Pull out the plug from the wall socket or turn the thermostat knob to the «O» setting.
- Leave the door open, place a basin on the top shelf of the refrigerator compartment, under the drain hole, remove the plug as shown in the figure.




- When defrosting is completed, dry the interior thoroughly and refit the plug.
- Turn the thermostat knob back to the required setting or replace the plug in the power socket.
- Reload the previously removed food into the compartment.

 **Never use sharp metal tools to scrape off frost from the evaporator as you could damage it.**

Do not use a mechanical device or any artificial means to speed up the thawing process other than those recommended by the manufacturer.

Cleaning

 **Never use metal objects for cleaning your appliance as it may get damaged.**

NEVER use detergents, abrasive powders, highly perfumed cleaning products or wax polishes to clean the interior as these will damage the surface and leave a strong odour.

Clean the inside with warm water and bicarbonate of soda. Rinse and dry thoroughly.

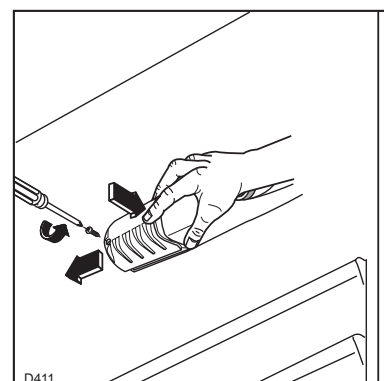
To guarantee a safe operation of the fridge, once a year remove the ventilation grille at the base and clean the air channels with a vacuum cleaner.

When the appliance is not in use

Disconnect the appliance from the electricity supply. Empty all foods and clean the appliance, leaving the doors ajar to prevent unpleasant smells.

Changing the light bulb

- Should the interior light fail to work, first switch off the appliance and disconnect from the electricity supply, then replace the bulb as follows:
 1. unscrew the light cover securing screws.
 2. unhook the moving part by pressing it as shown in the figure.
 3. Replace the bulb by other with another with the same characteristics.



Something not Working

Problems may be due to causes which can easily be solved before calling the Technical Service. Please follow these instructions:

SYMPTOM	SOLUTION
Door does not close	Weight surpasses the storage limit of the door shelf so spread weight more evenly or take some products out. The appliance is not properly installed. Please look in the "Building-in" section.
It is too warm inside the refrigerator	Set a lower temperature. Distribute the food products to allow cold air to circulate around them. Make sure that the door is completely closed and that the insulating strip is complete and clean. The temperature where the cabinet is placed is above normal room temperature.
It is too cold inside the refrigerator.	Turn the temperature regulator to a warmer setting temporarily.
The compressor works continuously.	Turn the thermostat knob to a lower number. The temperature where the cabinet is placed is above normal room temperature. Check that the ventilation is sufficient and that the ventilation openings are unobstructed. The cause could be the introduction of large quantities of food and/or frequent opening/closing of the door.
There is water inside/outside the refrigerator.	Sometimes is normal. During automatic defrosting frost thaws on the cooling plate.
Water comes out on the floor.	Place the drain hose at the back of the cabinet above the drain bowl.
Noises	Sometimes this is normal. Temperature control may cause clicking sounds when the system is connected or disconnected. The injected cooling gas may produce a gurgling sound while passing through the tubes. The motor may cause a humming noise and/or slight bumping. The insulation material used has a tendency to slightly increase noise levels, how ever it allows for much better insulation and a lower energy consumption.

Customer service and spare parts

If you cannot find the remedy for a malfunction in these operating instructions, please contact your dealer or our customer service department and consult the Guarantee card.

Selective ordering of replacement parts can save unnecessary travel and costs.

For this reason always provide the following

appliance information:


- Model Name
- Model Number (PNC)
- Serial Number (S-No.)

This information can be found on the rating plate inside the cabinet on the left hand wall. We recommend that you enter this information here, so that it is handy if needed.

Technical specifications

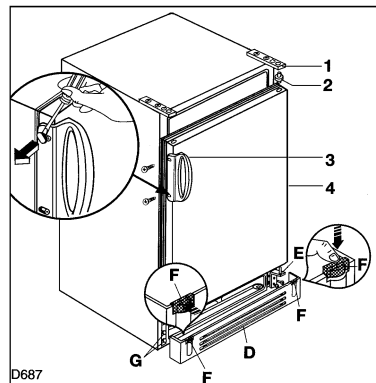
Dimensions	
Height	820 mm
Width	593 mm
Depth	570 mm


The technical data is indicated in the rating plate on the left side inside the appliance.

 If there is a power failure when food is in the freezer, do not open the door of the freezer compartment. The frozen food will not be affected if the power cut is of short duration (up to 12 hours) and the freezer compartment is full, otherwise, it is recommended that the food should be used within a short time (a temperature increase of the frozen food shortens its safe storage period).

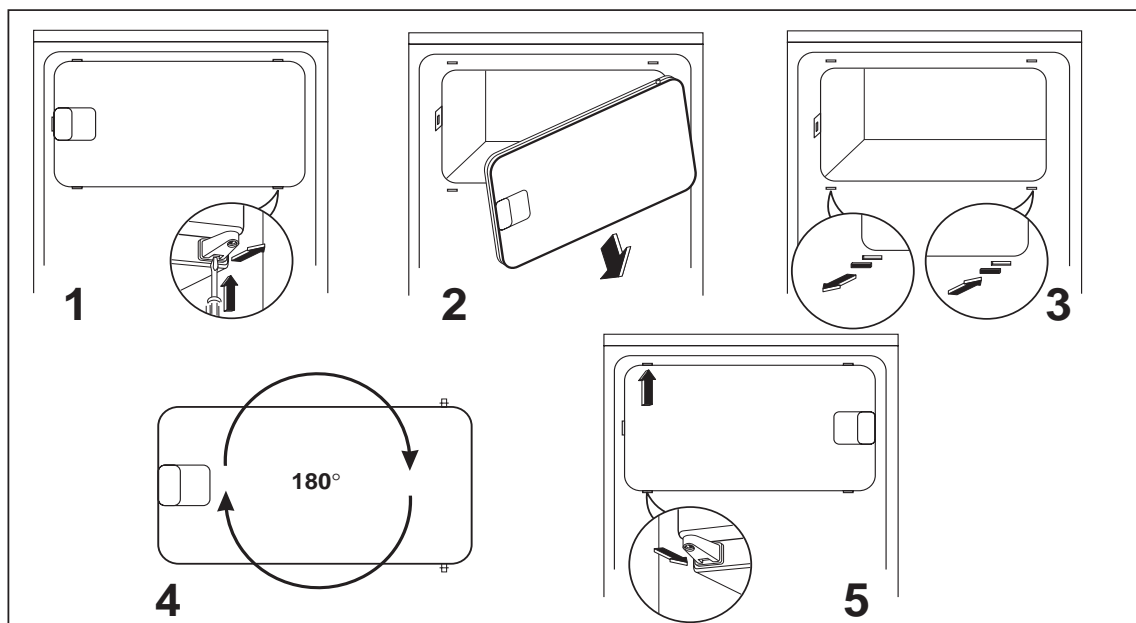
Door reversal

1. Pull off the ventilation grille (D), which is a clip-on fit. Remove the bottom hinge (E) by unscrewing its two fixing screws.
2. Remove the plugs (G) and fit them on the opposite side.
3. Remove the door (4).
4. Unscrew pin (2) and screw it onto the opposite side.
5. Refit the door.
6. Refit the bottom hinge on the opposite side using the two screws previously removed.
7. Slide the hole cover (F) off the ventilation grille (D) and fit it on the opposite side.
8. Refit the ventilation grille, clipping it into place.
9. Remove the clip-in screw covers, then move the handle to the opposite side. Holes which are not used must be masked with the plastic plugs previously removed from the opposite side.




 **Warning!** If the ambient temperature is cold (i.e. in Winter), the gasket may not fit perfectly to the cabinet. In that case, wait for the natural fitting of the gasket or accelerate this process by heating up the part involved with a normal hairdrier.

Inner door reversal



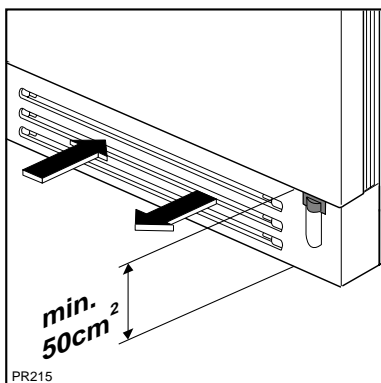
Installation

 Take utmost care when handling your appliance so as not to cause any damages to the cooling unit with consequent possible fluid leakages.

- During normal operation, the condenser and compressor at the back of the appliance heat up considerably. Always ensure that there is adequate ventilation as a failure to do this will result in component failure and possible food loss. See installation instructions.
- **Important:** if the supply cable is damaged, it must be replaced by authorized service or qualified personnel using a special cable of the same type.

Positioning

- Unpack the cabinet and check that it is in good condition and free of any transport damage.
- **The appliance must not be located close to radiators or gas cookers.**
- Avoid prolonged exposure of the appliance to direct sunlight.
- For safety reasons, minimum ventilation must be as shown in Fig.



Attention: keep ventilation openings clear of obstruction.

- Two adjustable feet at the cabinet base allow accurate levelling of the appliance.

The climate classification can be found on the rating plate, which is located inside the cabinet on the left hand wall.

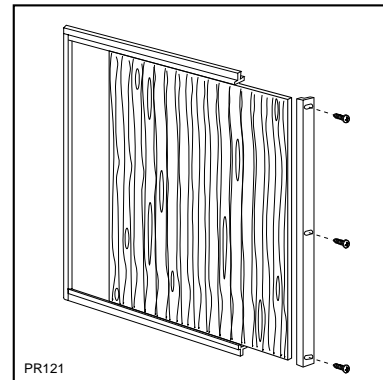
The following table shows which ambient temperature is correct for each climate classification:

Climate classification	for an ambient temperature of
SN	+10 to +32°C
N	+16 to +32°C
ST	+18 to +38°C
T	+18 to +43°C

When the ambient temperature is not included within the range indicated for the class of this appliance, the storage temperature in the appliance cannot be guaranteed; therefore it is advisable to use the food stored as soon as possible.

Panelling the door

1. Take off the door frame section opposite to the door handle.



2. Loosen, without removing them, all remaining screws securing the door frame.
3. Slide in the decor panel from the frameless side, then fasten again the frame to the door including the previously removed frame section.

Note

The overall dimensions of the decor panel must be 1 to 2 mm less than those of the door, with a maximum thickness of 4 mm.

Electrical connection

Before plugging in, ensure that the voltage and frequency shown on the serial number plate correspond to your domestic power supply. Voltage can vary by $\pm 6\%$ of the rated voltage. For operation with different voltages, a suitably sized auto-transformer must be used.



Important

The appliance must be earthed.

The power supply cable plug is provided with a contact for this purpose.

If the domestic power supply socket is not earthed, connect the appliance to a separate earth in compliance with current regulations, consulting a specialist technician.

The Manufacturer declines all responsibility if the above safety precautions are not observed.

This appliance complies with the following E.E.C. Directives:

- CE - 87/308 EEC of 2/6/87 relative to radio interference suppression.
- 73/23 EEC of 19.2.73 (Low Voltage Directive) and subsequent modifications.
- 89/336 EEC of 3.5.89 (Electromagnetic Compatibility Directive) and subsequent modifications.



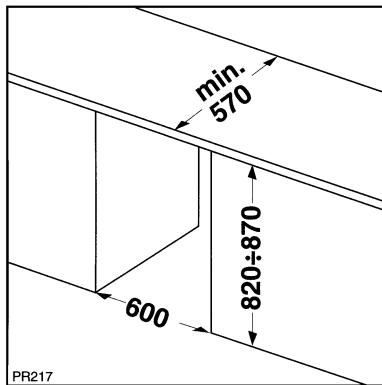
Attention!

It must be possible to disconnect the appliance from the mains power supply; the plug must therefore be easily accessible after installation.

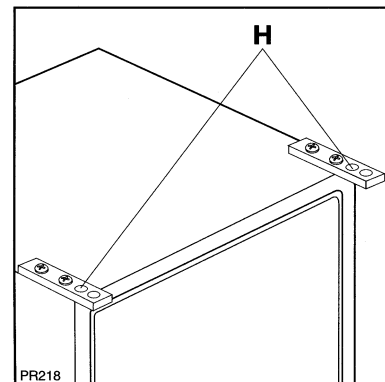
Building in the appliance under a worktop

Dimensions of the recess

The dimensions of the recessed installation area must correspond with those indicated in the figure.



- Holes (H) in the top hinges are used for fixing the appliance to the worktop.



Installation kit

- If the recess height is 870 mm, the appropriate fitting kit must be used.
- The kit contains the following parts:
 - 1 ventilation grille;
 - 2 adjustable feet;
 - 2 non-adjustable feet;
 - 1 set of screws
 - 1 instructions.

KÜPPERSBUSCH HAUSGERÄTE AG
Postfach 10 01 32, D-45801 Gelsenkirchen, Küppersbuschstr. 16, D-45883 Gelsenkirchen
Telefon: (02 09) 4 01-0, Telefax: (02 09) 4 01-3 03
www.kueppersbusch.de

Küppersbusch Ges. m. b. H.
Eitnergasse 13, 1231 Wien, Telefon: 01 / 8 66 80-0, Telefax: 01 / 8 66 80 72
www.kueppersbusch.at · e-Mail: verkauf@kueppersbusch.at

Küppersbusch
ALLERFEINSTE KÜCHENTECHNIK