

## Sensor field

1. Display
2. On/off
3. Heating Functions or Assisted Cooking
4. Favourite Programme
5. Temperature selection
6. Navigation
7. OK sensor - confirms the selection
8. Home key - opens the main menu
9. Time and additional functions
10. Minute Minder

### Heating Functions Assisted Cooking

Press once or twice - activates a Heating Function or an Assisted Cooking function. Press and hold for 3 seconds - activates or deactivates the oven lamp.

### Favourite Programme

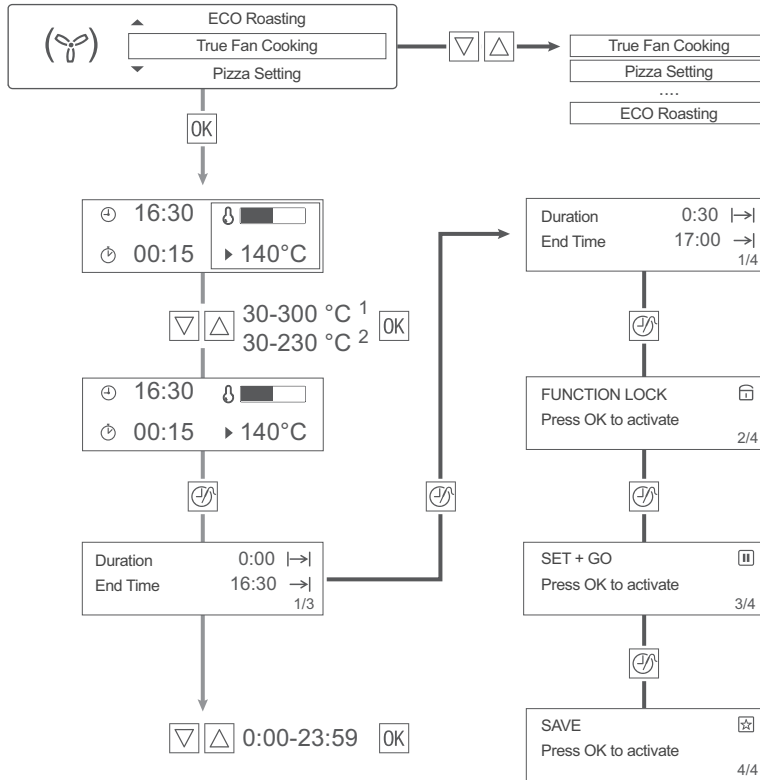
Press once - opens Favourite Programme menu. Press and hold for 3 seconds - saves active function in Favourite Programme menu.

### Fast Heat Up

Press and hold for 3 seconds - turns Fast Heat Up function on and off.

# Heating Functions

## Press once



<sup>1</sup> Ovens without steam only  
<sup>2</sup> Ovens with steam only

## Oven

- True Fan Cooking
- Pizza Setting
- Slow Cooking
- Conventional Cooking
- Frozen Foods
- Turbo Grilling
- Fast Grilling
- Grilling
- Moist Fan Baking
- Keep Warm
- Defrost
- Bottom Heat
- Dough Proving
- Bread baking
- Au Gratin
- Preserving
- Drying
- Plate Warming
- ECO Roasting

## Steam Oven

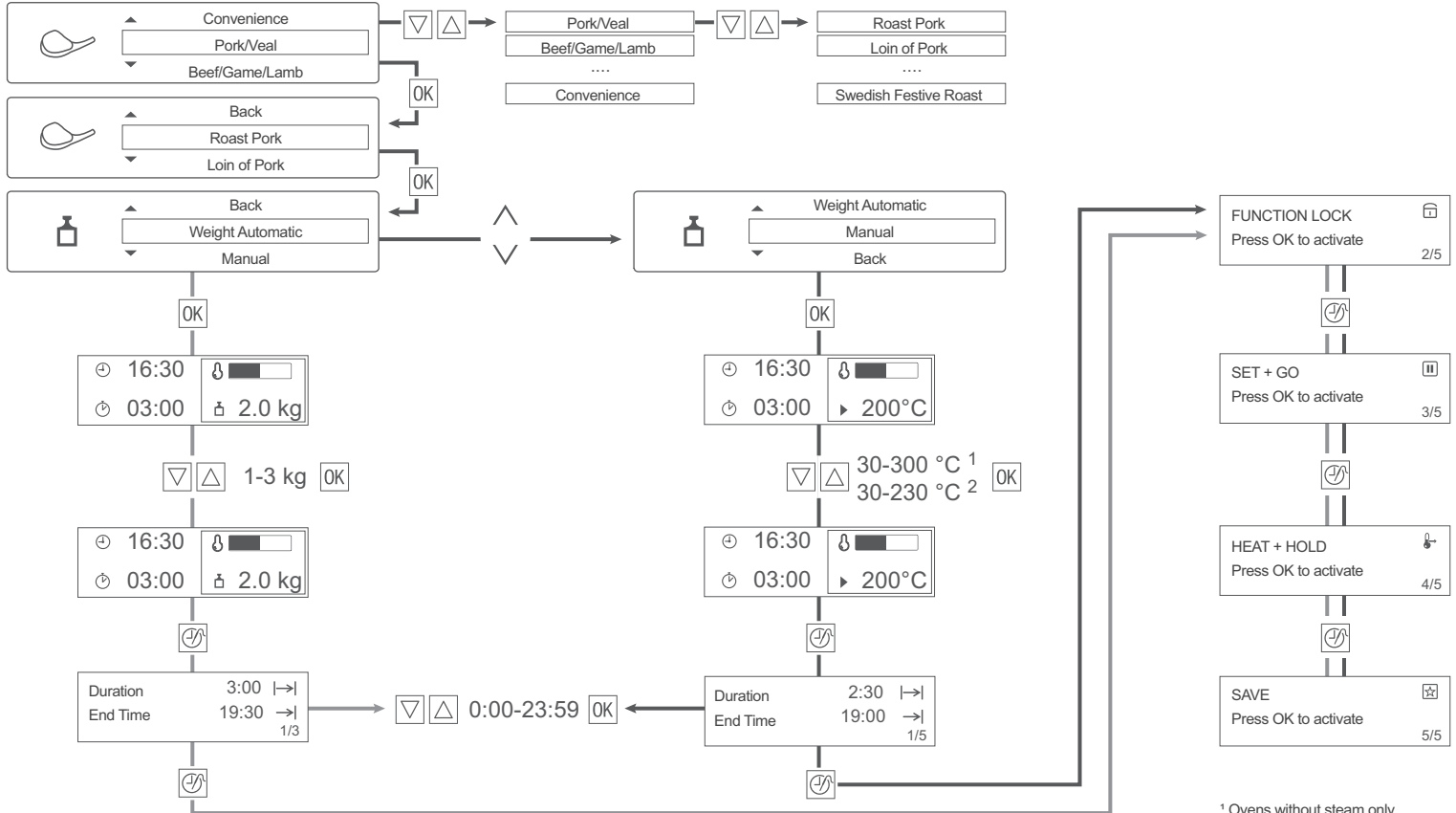
- Full Steam
- Half Steam + Heat
- Quarter Steam + Heat
- ECO Steam
- Moist Fan Baking
- True Fan Cooking
- Pizza Setting
- Slow Cooking
- Conventional Cooking
- Frozen Foods
- Turbo Grilling
- Fast Grilling
- Grilling
- Keep Warm
- Defrost
- Bottom Heat
- Dough Proving
- Bread baking
- Au Gratin
- Preserving
- Drying
- Plate Warming
- Steam Regenerating
- ECO Roasting



# Assisted Cooking



Press twice



<sup>1</sup> Ovens without steam only

<sup>2</sup> Ovens with steam only



# Assisted Cooking



## Pork/Veal

- Roast Pork
- Loin of Pork
- Pork Knuckle
- Pork Shoulder
- Roast Veal
- Veal Knuckle
- Ossobuco
- Stuffed Veal Breast
- Meat Loaf
- Swedish Festive Roast <sup>1</sup>



## Beef/Game/Lamb

- Roast beef
- Scandinavian Beef
- Braised meat
- Marinated Beef
- Loin of Game
- Roast Game
- Rabbit
- Mustard Rabbit
- Wild Boar
- Roast Lamb
- Lamb Joint, medium
- Leg of Lamb



## Poultry

- Chicken, whole
- Turkey, whole
- Duck, whole
- Goose, whole
- Boned Poultry
- Chicken Legs

- Coq au Vin
- Roast Duck with Orange
- Stuffed Chicken
- Stuffed Chicken Breast <sup>2</sup>



## Fish

- Whole Fish
- Fillet of Fish
- Cod Fish
- Fish in Salt
- Stuffed Calamari
- Steamed Fish
- Jansons Temptation
- Poached Fish (Trout) <sup>2</sup>



## Cake

- Lemon Sponge Cake
- Swedish Cake
- Biscuit
- Cheese Cake
- Fruit Cake
- Streusel Cake
- Rich Yeast Plait
- Yeast Plait
- Ring Cake
- Savarin Cake
- Brownies
- Muffins
- Sweet Tart
- Carrot Cake
- Almond Cake
- Fruit Tart
- Grandmas RoastApple Cake <sup>1</sup>



## Desserts <sup>2</sup>

- Flan Caramel
- Coconut Pudding
- Cappuccino Cake
- Cherry Pie
- Plum Dumpling



## Pizza/Pie/Bread

- Pizza
- Onion Tart
- Quiche Lorraine
- Goatscheese Flan
- Cheese Flan
- Cheese Pastry
- White Bread
- Farmer Bread
- Pierogi



## Casseroles/Gratins

- Lasagne
- Cannelloni
- Potato Gratin
- Moussaka
- Pasta Gratin
- Chicory Gratin
- Beef Casserole
- Cabbage Casserole
- Franconian Dumpling Pan <sup>1</sup>



## Side Dishes <sup>2</sup>

- Vegetables, mediterranean
- Vegetables, traditional

- Peeling Tomatoes
- Potatoes in their jacket
- Boiled Potatoes
- Salty Dumplings
- Rice
- Egg Custard



## Combi Steaming <sup>2</sup>

- Steam Menu 1
- Steam Menu 2
- Steam Menu 3



## Convenience

- Pizza, frozen
- Pizza American, frozen
- Pizza, chilled
- Pizza Snacks, frozen
- French Fries
- Wedges/Croquettes
- Hash Browns
- Bread/Rolls
- Bread/Rolls, frozen
- Apple Strudel, frozen
- Fillet of Fish, frozen
- Chicken Wings
- Lasagne/Cannelloni, frozen

<sup>1</sup> Ovens without steam only

<sup>2</sup> Ovens with steam only