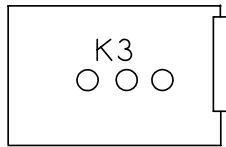
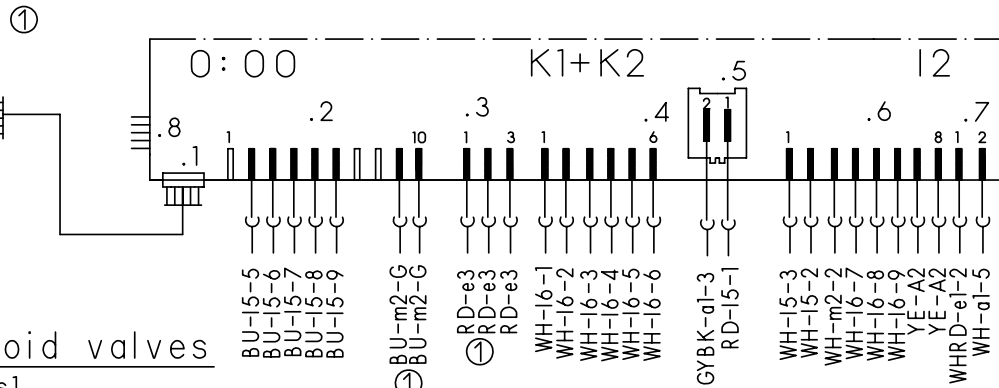


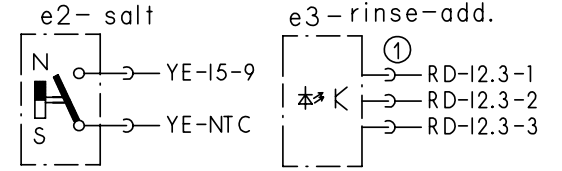
display



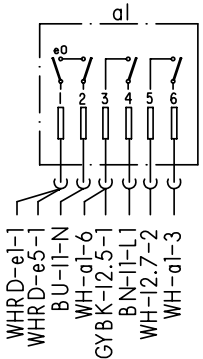
on-off and selector switch



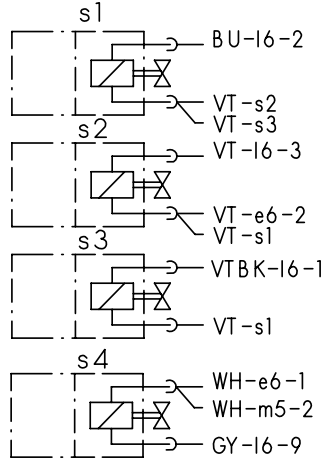
sensor



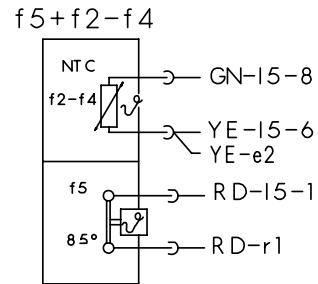
main switch



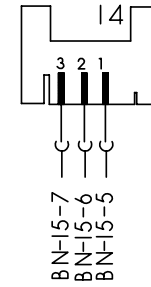
solenoid valves



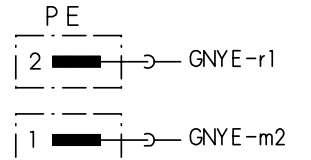
thermostat + NTC



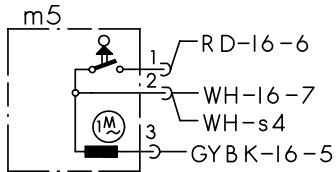
aqua-sensor



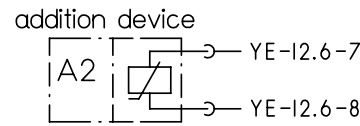
earth terminal



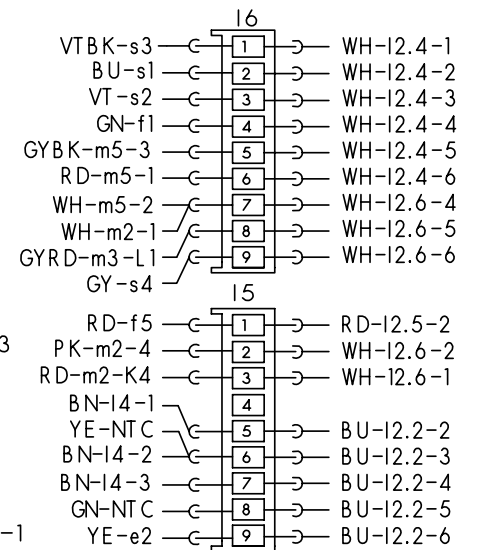
water points



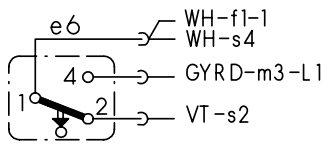
aktuator



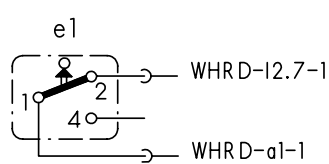
clutch



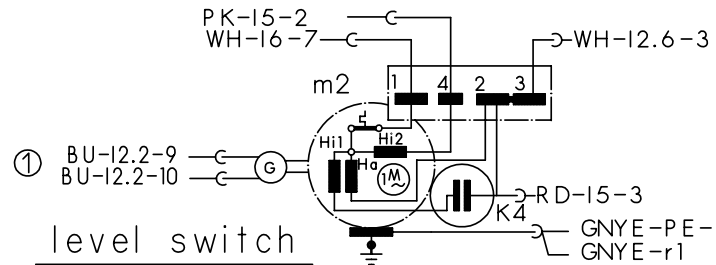
float switch



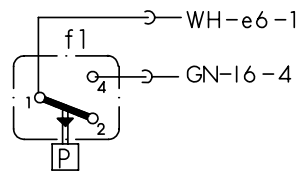
door switch



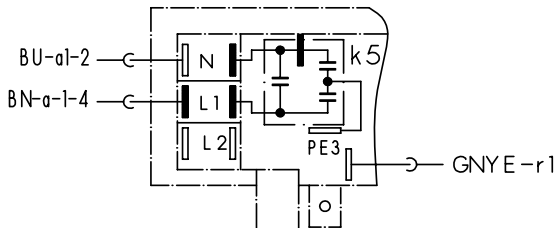
motor



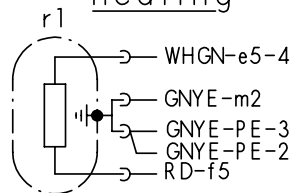
level switch



terminal ll with interference suppression

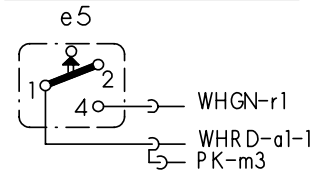


heating

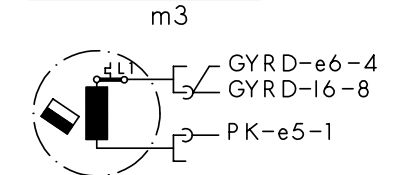


① exist according to equipment
 (..) previous color

safety switch



drain pump

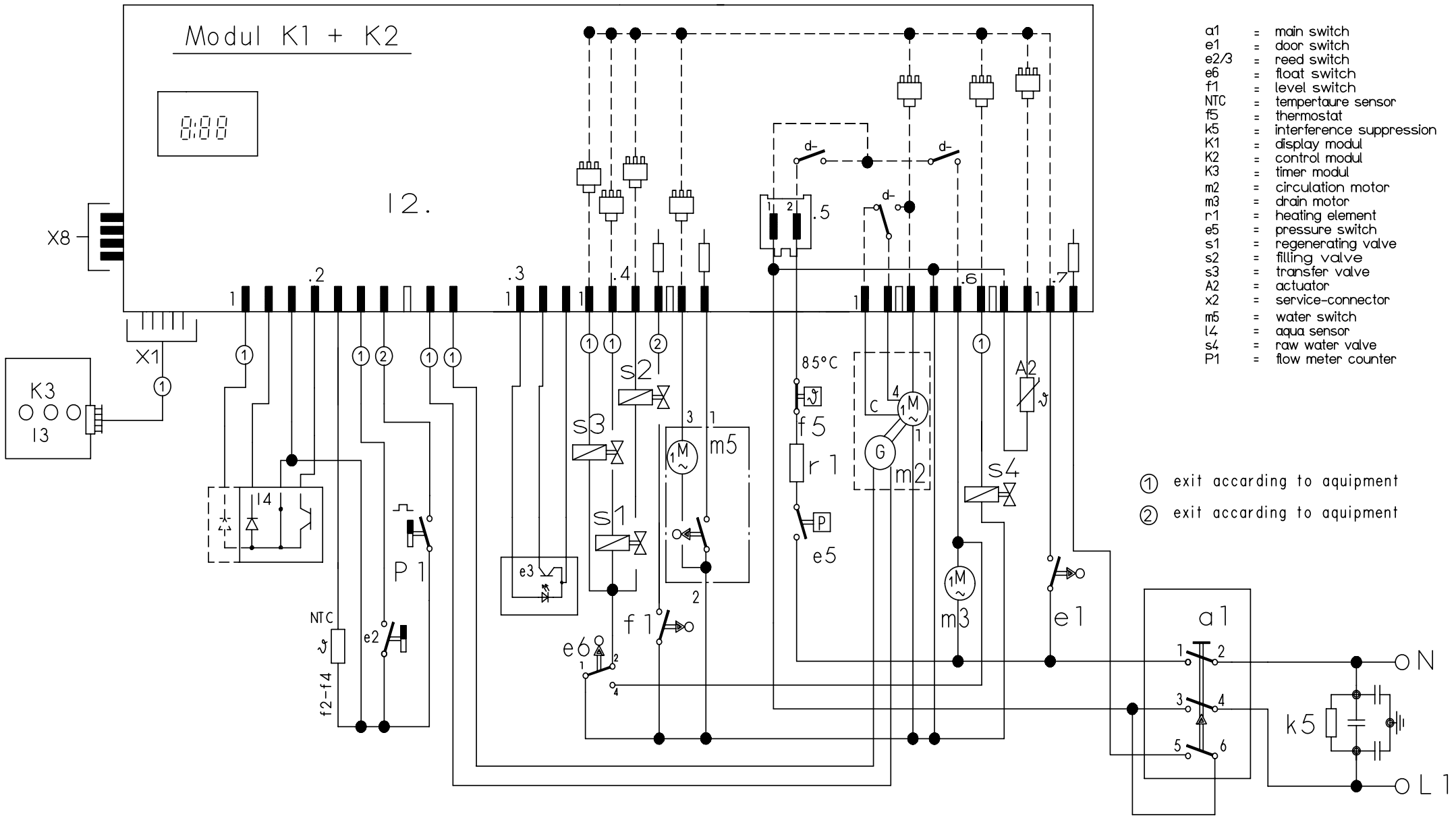


Mat.Nr.: 9000002401	
Ausg.: 01.04	S0-60/0859

Modul K1 + K2

8:88

12.



- a1 = main switch
- e1 = door switch
- e2/3 = reed switch
- e6 = float switch
- f1 = level switch
- NTC = temperature sensor
- f5 = thermostat
- k5 = interference suppression
- K1 = display modul
- K2 = control modul
- K3 = timer modul
- m2 = circulation motor
- m3 = drain motor
- r1 = heating element
- e5 = pressure switch
- s1 = regenerating valve
- s2 = filling valve
- s3 = transfer valve
- actuator = actuator
- x2 = service-connector
- m5 = water switch
- L4 = aqua sensor
- s4 = raw water valve
- P1 = flow meter counter

- ① exit according to equipment
- ② exit according to equipment

Mat. Nr. 5600049107	
Ausg.: 12.03	S0-60/0662

GB